

Product Data Sheet



LRA-TPA 75K-FK

EAN 4047526332266

ID 332262

Light duty swivel castor with bolt hole fitting, Wheel with thermoplastic rubber tread, with polypropylene wheel centre

Bracket:

Made of pressed steel, with double ball bearing in the swivel head, ball protection by the special top plate and ball disc design. The special Blickle dynamic riveting process of the swivel head results in minimal swivel head play and smooth rolling characteristics with an increased service life achieved by the work hardening of the ball race grooves. Bolted wheel axle. Zinc-plated, blue-passivated, Cr6-free.

Wheels:

Made of high-quality thermoplastic rubber elastomer (TPE), high operational comfort, low-noise operation, low rolling and swivelling resistance, good floor preservation, chemically bonded for an inseparable connection to the wheel centre.

Tread/tyre:

Made of thermoplastic rubber elastomer (TPE), contains traces of oil.

Tread colours: grey

Wheel centre/rim:

Made of high-quality, impact-resistant polypropylene. Chemically bonded.

Wheel centre colour: grey



Rolling resistance

■ ■ ■ ■ □ Very good

Operating noise

■ ■ ■ □ □ Good

Floor surface preservation

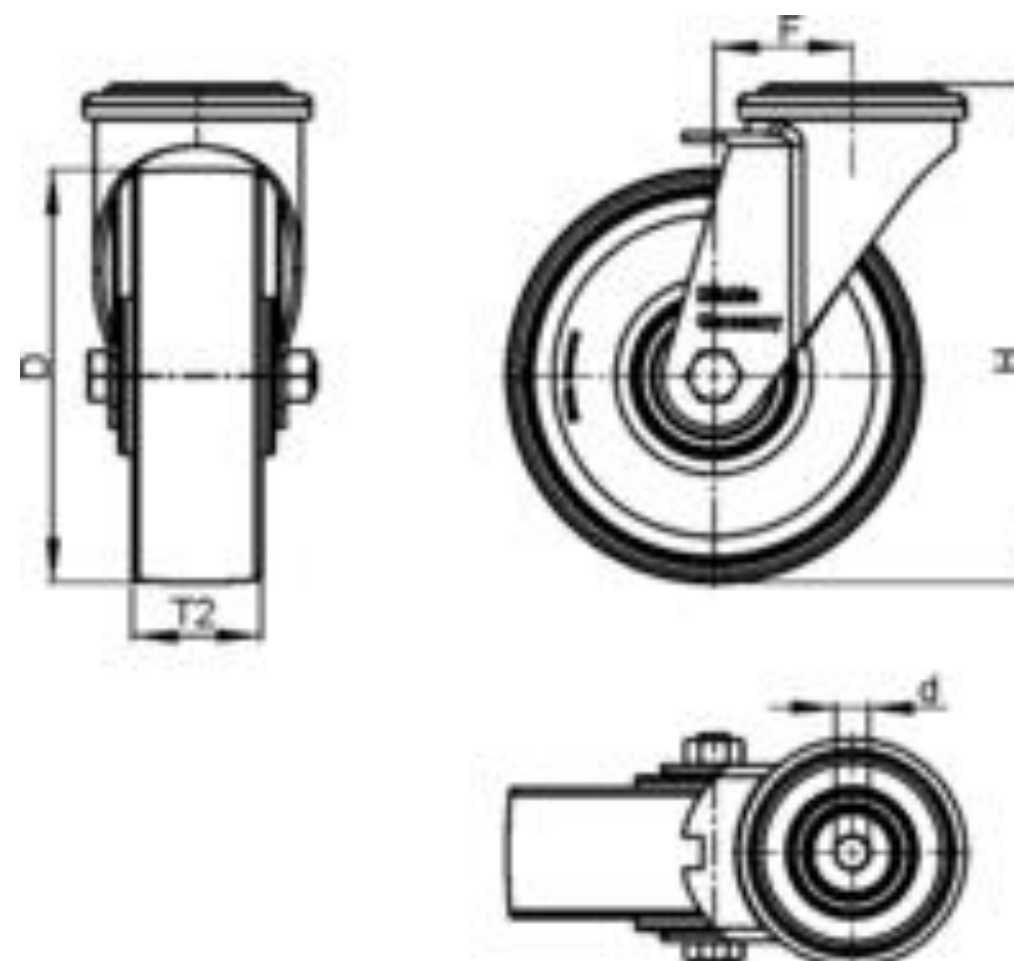
■ ■ ■ □ □ Good

Product Data Sheet



Technical data

Plate size		43
Bolt hole Ø		11
Wheel Ø		75 mm (D)
Wheel width		25 mm (T2)
Load capacity		75 kg
Total height		98 mm (H)
Offset swivel castor		29 mm
unit weight		0,3 kg
Temperature resistance		-20 ° C
Temperature resistance to		60 ° C
tread and tyre hardness		85° Shore A
Bearing type:		Ball bearing



Product Data Sheet



Variants



LRA-TPA 75K-FI-FK

Light duty swivel castor with bolt hole fitting with synthetic brake lever, Wheel with thermoplastic rubber tread, with polypropylene wheel centre



LRA-TPA 75K-FK-E04

Light duty swivel castor with expander, Wheel with thermoplastic rubber tread, with polypropylene wheel centre



LRA-TPA 75K-FI-FK-E04

Wheel with thermoplastic rubber tread, with polypropylene wheel centre



LRA-TPA 75K-FK-E02

Light duty swivel castor with expander, Wheel with thermoplastic rubber tread, with polypropylene wheel centre



LRA-TPA 75K-FK-E03

Light duty swivel castor with expander, Wheel with thermoplastic rubber tread, with polypropylene wheel centre



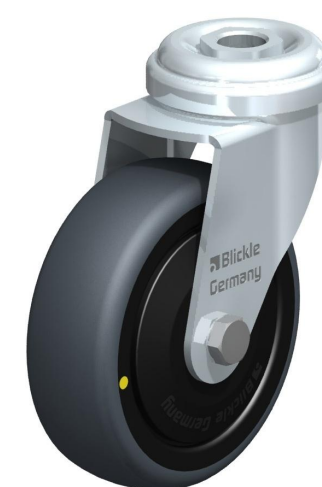
LRA-TPA 75K-FK-GS10

Light duty swivel castor with threaded pin, Wheel with thermoplastic rubber tread, with polypropylene wheel centre



LRA-TPA 75K-FI-FK-GS10

Light duty swivel castor, with zinc-plated steel threaded pin, with 'stop-fix' brake and synthetic brake lever, Wheel with thermoplastic rubber tread, with polypropylene wheel centre



LRA-TPA 75K-ELS-FK

Light duty swivel castor with bolt hole fitting, Wheel with thermoplastic rubber tread, with polypropylene wheel centre



LRA-TPA 75K-FI-ELS-FK

Light duty swivel castor with bolt hole fitting with synthetic brake lever, Wheel with thermoplastic rubber tread, with polypropylene wheel centre



LRA-TPA 75K-FI-ELS-FK-GS10

Light duty swivel castor, with zinc-plated steel threaded pin, with 'stop-fix' brake and synthetic brake lever, Wheel with thermoplastic rubber tread, with polypropylene wheel centre

Product Data Sheet



Variants



LRA-TPA 75K-ELS-FK-GS10

Light duty swivel castor with threaded pin, Wheel with thermoplastic rubber tread, with polypropylene wheel centre



LRA-TPA 75K-FK-E05

Light duty swivel castor with expander, Wheel with thermoplastic rubber tread, with polypropylene wheel centre



LRA-TPA 75K-FI-FK-E05

Wheel with thermoplastic rubber tread, with polypropylene wheel centre



LRA-TPA 75K-FI-FK-E03

Wheel with thermoplastic rubber tread, with polypropylene wheel centre



LRA-TPA 75K-FK-E07

Light duty swivel castor with expander, Wheel with thermoplastic rubber tread, with polypropylene wheel centre



LRA-TPA 75K-FI-FK-E07

Wheel with thermoplastic rubber tread, with polypropylene wheel centre



LRA-TPA 75K-FI-FK-E01

Wheel with thermoplastic rubber tread, with polypropylene wheel centre



LRA-TPA 75K-FI-FK-ES

Light duty swivel castor, with plug-in pin, with 'stop-fix' brake and synthetic brake lever, Wheel with thermoplastic rubber tread, with polypropylene wheel centre



LRA-TPA 75K-FK-ES

Light duty swivel castor with plug-in pin, Wheel with thermoplastic rubber tread, with polypropylene wheel centre



LRA-TPA 75K-FK-E01

Light duty swivel castor with expander, Wheel with thermoplastic rubber tread, with polypropylene wheel centre

Product Data Sheet



Variants



LRA-TPA 75K-FI-FK-E02

Wheel with thermoplastic rubber tread, with polypropylene wheel centre



LRA-TPA 75K-FI-ELS-FK-E02

Wheel with thermoplastic rubber tread, with polypropylene wheel centre



LRA-TPA 75K-ELS-FK-E02

Light duty swivel castor with expander, Wheel with thermoplastic rubber tread, with polypropylene wheel centre



LRA-TPA 75K-FI-ELS-FK-E04

Wheel with thermoplastic rubber tread, with polypropylene wheel centre



LRA-TPA 75K-ELS-FK-E04

Light duty swivel castor with expander, Wheel with thermoplastic rubber tread, with polypropylene wheel centre



LRA-TPA 75K-FI-ELS-FK-E03

Wheel with thermoplastic rubber tread, with polypropylene wheel centre



LRA-TPA 75K-ELS-FK-E01

Light duty swivel castor with expander, Wheel with thermoplastic rubber tread, with polypropylene wheel centre



LRA-TPA 75K-FI-ELS-FK-E01

Wheel with thermoplastic rubber tread, with polypropylene wheel centre



LRA-TPA 75K-FI-ELS-FK-E05

Wheel with thermoplastic rubber tread, with polypropylene wheel centre



LRA-TPA 75K-FI-ELS-FK-E07

Wheel with thermoplastic rubber tread, with polypropylene wheel centre

Product Data Sheet



Variants



LRA-TPA 75K-FI-ELS-FK-ES

Light duty swivel castor with bolt hole fitting with synthetic brake lever, Wheel with thermoplastic rubber tread, with polypropylene wheel centre



LRA-TPA 75K-ELS-FK-E03

Light duty swivel castor with expander, Wheel with thermoplastic rubber tread, with polypropylene wheel centre



LRA-TPA 75K-ELS-FK-E05

Light duty swivel castor with expander, Wheel with thermoplastic rubber tread, with polypropylene wheel centre



LRA-TPA 75K-ELS-FK-E07

Light duty swivel castor with expander, Wheel with thermoplastic rubber tread, with polypropylene wheel centre



LRA-TPA 75K-ELS-FK-ES

Light duty swivel castor with plug-in pin, Wheel with thermoplastic rubber tread, with polypropylene wheel centre



LRA-TPA 75K-FK-EV04

Light duty swivel castor with expander, Wheel with thermoplastic rubber tread, with polypropylene wheel centre



LRA-TPA 75K-FI-FK-EV04

Wheel with thermoplastic rubber tread, with polypropylene wheel centre



LRA-TPA 75K-FI-FK-ER02

Wheel with thermoplastic rubber tread, with polypropylene wheel centre



LRA-TPA 75K-FI-FK-ER03

Wheel with thermoplastic rubber tread, with polypropylene wheel centre



LRA-TPA 75K-FI-FK-ER04

Wheel with thermoplastic rubber tread, with polypropylene wheel centre

Product Data Sheet



Variants



LRA-TPA 75K-FI-FK-ER05

Wheel with thermoplastic rubber tread,
with polypropylene wheel centre



LRA-TPA 75K-FI-FK-EV02

Wheel with thermoplastic rubber tread,
with polypropylene wheel centre



LRA-TPA 75K-FI-FK-EV03

Wheel with thermoplastic rubber tread,
with polypropylene wheel centre



LRA-TPA 75K-FI-FK-EV05

Wheel with thermoplastic rubber tread,
with polypropylene wheel centre



LRA-TPA 75K-FI-FK-EV07

Wheel with thermoplastic rubber tread,
with polypropylene wheel centre



LRA-TPA 75K-FK-ER02

Light duty swivel castor with expander,
Wheel with thermoplastic rubber tread,
with polypropylene wheel centre



LRA-TPA 75K-FK-ER03

Light duty swivel castor with expander,
Wheel with thermoplastic rubber tread,
with polypropylene wheel centre



LRA-TPA 75K-FK-ER04

Light duty swivel castor with expander,
Wheel with thermoplastic rubber tread,
with polypropylene wheel centre



LRA-TPA 75K-FK-ER05

Light duty swivel castor with expander,
Wheel with thermoplastic rubber tread,
with polypropylene wheel centre



LRA-TPA 75K-FK-EV02

Light duty swivel castor with expander,
Wheel with thermoplastic rubber tread,
with polypropylene wheel centre

Product Data Sheet



Variants



LRA-TPA 75K-FK-EV03

Light duty swivel castor with expander,
Wheel with thermoplastic rubber tread,
with polypropylene wheel centre



LRA-TPA 75K-FK-EV05

Light duty swivel castor with expander,
Wheel with thermoplastic rubber tread,
with polypropylene wheel centre



LRA-TPA 75K-FK-EV07

Light duty swivel castor with expander,
Wheel with thermoplastic rubber tread,
with polypropylene wheel centre