

Product Data Sheet



LKRA-TPA 101K-FK

EAN 4047526393885

ID 393884

Light duty swivel castor with bolt hole fitting, Wheel with thermoplastic rubber tread, with polypropylene wheel centre

Bracket:

Made of pressed steel, with double ball bearing in the swivel head, ball protection by the special top plate and ball disc design. The special Blickle dynamic riveting process of the swivel head results in minimal swivel head play and smooth rolling characteristics with an increased service life achieved by the work hardening of the ball race grooves. Bolted wheel axle. Zinc-plated, blue-passivated, Cr6-free.

Wheels:

Made of high-quality thermoplastic rubber elastomer (TPE), high operational comfort, low-noise operation, low rolling and swivelling resistance, good floor preservation, chemically bonded for an inseparable connection to the wheel centre.

Tread/tyre:

Made of thermoplastic rubber elastomer (TPE), contains traces of oil.

Tread colours: grey

Wheel centre/rim:

Made of high-quality, impact-resistant polypropylene. Chemically bonded.

Wheel centre colour: grey



Rolling resistance

■■■■□ Very good

Operating noise

■■■□□ Good

Floor surface preservation

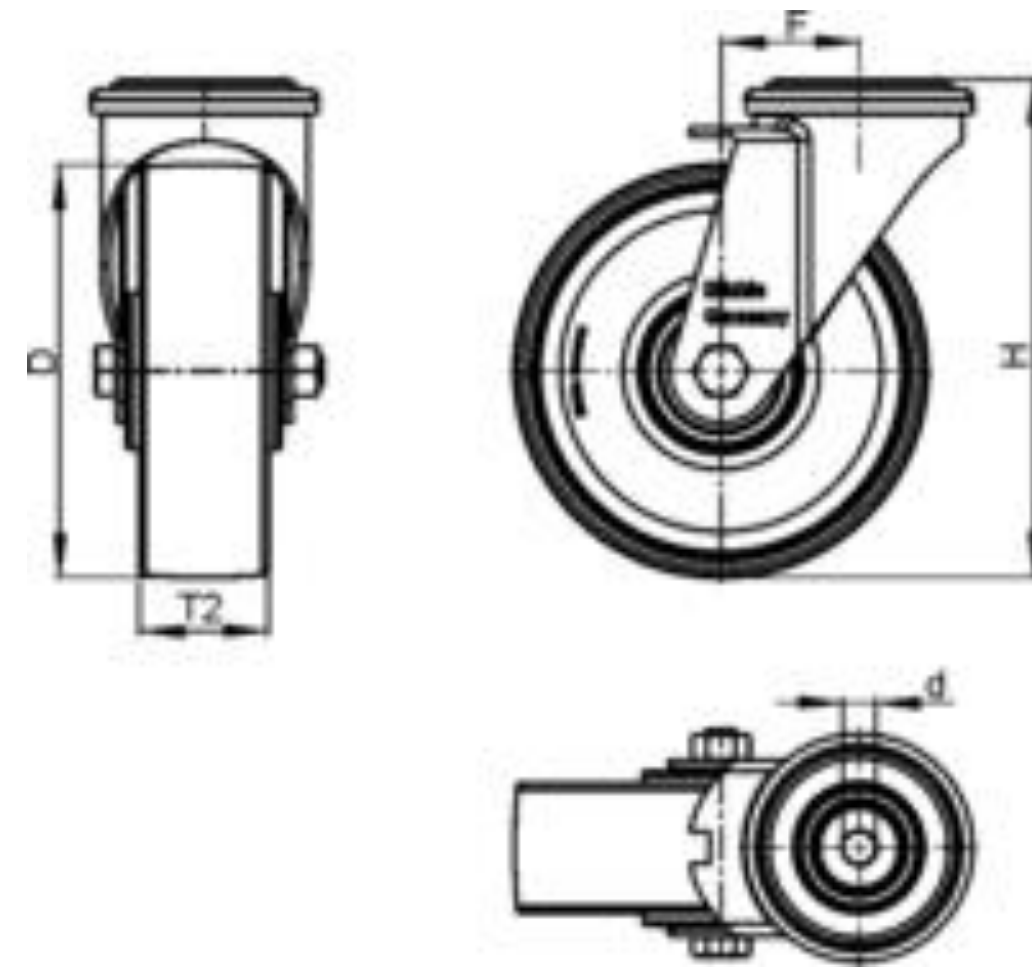
■■■□□ Good

Product Data Sheet



Technical data

Plate size		57
Bolt hole Ø		13
Wheel Ø		100 mm (D)
Wheel width		32 mm (T2)
Load capacity		110 kg
Total height		133 mm (H)
Offset swivel castor		40 mm
unit weight		0,6 kg
Temperature resistance		-20 ° C
Temperature resistance to		60 ° C
tread and tyre hardness		85° Shore A
Bearing type:		Ball bearing



Product Data Sheet



Variants



LKRA-TPA 101K-FI-FK

Light duty swivel castor with bolt hole fitting with 'stop-fix' brake, Wheel with thermoplastic rubber tread, with polypropylene wheel centre



LKRA-TPA 101K-FI-ELS-FK

Light duty swivel castor with bolt hole fitting with 'stop-fix' brake, Wheel with thermoplastic rubber tread, with polypropylene wheel centre



LKRA-TPA 101K-ELS-FK

Light duty swivel castor with bolt hole fitting, Wheel with thermoplastic rubber tread, with polypropylene wheel centre



LKRA-TPA 101K-FK-GS12

Light duty swivel castor with threaded pin, Wheel with thermoplastic rubber tread, with polypropylene wheel centre



LKRA-TPA 101K-FI-FK-GS12

Light duty swivel castor, with zinc-plated steel threaded pin, with 'stop-fix' brake, Wheel with thermoplastic rubber tread, with polypropylene wheel centre



LKRA-TPA 101K-FI-ELS-FK-GS12

Light duty swivel castor, with zinc-plated steel threaded pin, with 'stop-fix' brake, Wheel with thermoplastic rubber tread, with polypropylene wheel centre



LKRA-TPA 101K-ELS-FK-GS12

Light duty swivel castor with threaded pin, Wheel with thermoplastic rubber tread, with polypropylene wheel centre