

EA986GN-1



EAN: 4047526574680

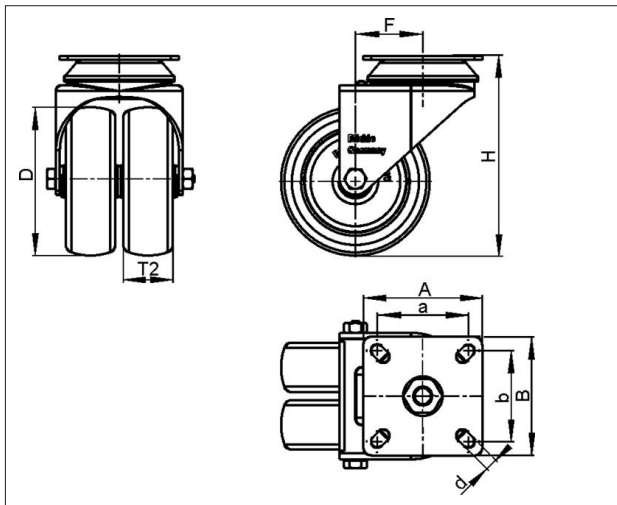
ID: 574681

**Wheel with thermoplastic rubber tread, with polypropylene wheel centre**

**Tyre & running tread:** Made of high-quality thermoplastic rubber elastomer (TPE), high operational comfort, low-noise operation, low rolling and swivelling resistance, good floor preservation, chemically bonded for an inseparable connection to the wheel centre. Tread colour: grey

**Rim / wheel centre:** Made of high-quality, impact-resistant polypropylene. Chemically bonded.

**Variants:**  
mit Feststeller "stop-fix"



Technical data

Wheel Ø (D)	50 mm
Wheel width (T2)	2 x 19 mm
Load capacity	80 kg
Total height (H)	71 mm
Offset swvl castor (F)	31 mm
Unit weight	0.316 kg
Temperature range from	-20 °C
Temperature range to	60 °C
Tread & tyre hardness	85° Shore A
Bearing type	
Plate size (A,B)	60 x 60 mm
Bolt hole Ø (d)	6,2 mm
Bolt hole spacing (a,b)	38x38/48x48 mm

Rolling resistance	<input checked="" type="checkbox"/> <input checked="" type="checkbox"/> <input checked="" type="checkbox"/> <input checked="" type="checkbox"/> <input type="checkbox"/>
Operating noise	<input checked="" type="checkbox"/> <input checked="" type="checkbox"/> <input checked="" type="checkbox"/> <input type="checkbox"/> <input type="checkbox"/>
Floor surface preservation	<input checked="" type="checkbox"/> <input checked="" type="checkbox"/> <input checked="" type="checkbox"/> <input type="checkbox"/> <input type="checkbox"/>