

EA986GN-2



EAN: 4047526574758

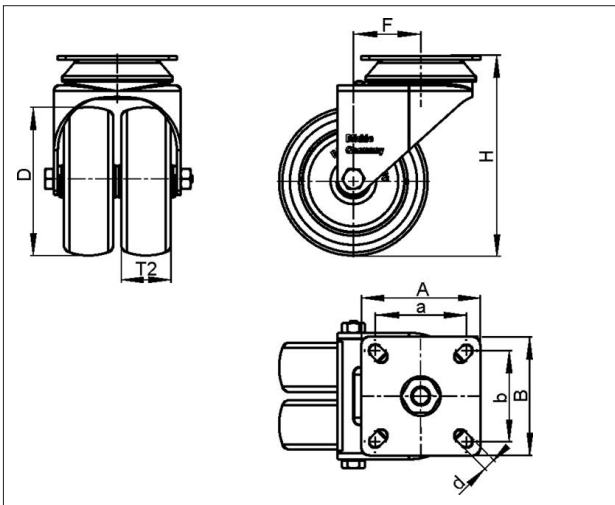
ID: 574756

Wheel with thermoplastic rubber tread, with polypropylene wheel centre

**Tyre & running tread:** Made of high-quality thermoplastic rubber elastomer (TPE), high operational comfort, low-noise operation, low rolling and swivelling resistance, good floor preservation, chemically bonded for an inseparable connection to the wheel centre. Tread colour: grey

**Rim / wheel centre:** Made of high-quality, impact-resistant polypropylene. Chemically bonded.

**Variants:**  
mit Feststeller "stop-fix"



Technical data

Wheel Ø (D)	75 mm
Wheel width (T2)	2 x 25 mm
Load capacity	100 kg
Total height (H)	98 mm
Offset swvl castor (F)	34 mm
Unit weight	0.67 kg
Temperature range from	-20 °C
Temperature range to	60 °C
Tread & tyre hardness	85° Shore A
Bearing type	
Plate size (A,B)	60 x 60 mm
Bolt hole Ø (d)	6,2 mm
Bolt hole spacing (a,b)	40x40/46x46 mm

Rolling resistance	<input checked="" type="checkbox"/> <input checked="" type="checkbox"/> <input checked="" type="checkbox"/> <input checked="" type="checkbox"/> <input type="checkbox"/>
Operating noise	<input checked="" type="checkbox"/> <input checked="" type="checkbox"/> <input checked="" type="checkbox"/> <input type="checkbox"/> <input type="checkbox"/>
Floor surface preservation	<input checked="" type="checkbox"/> <input checked="" type="checkbox"/> <input checked="" type="checkbox"/> <input type="checkbox"/> <input type="checkbox"/>