

EA986HA-250



EAN: 4047526036638

ID: 36632

Pressed steel fixed castor, medium duty brackets, with top plate fitting, Wheel with standard solid rubber tyres, with pressed steel rim, reinforced design

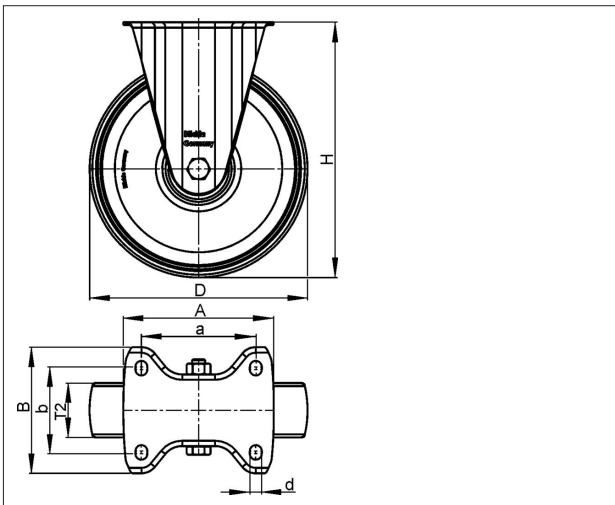
Bracket:

Made of pressed steel. Bolted wheel axle. Zinc-plated, blue-passivated, Cr6-free.

Wheels:

Tyre & running tread: Made of standard solid rubber, very high operational comfort, low-noise operation, very good floor preservation, PAH conform acc. to EU directive 2005/69/EC. Tread colour: black

Rim / wheel centre: Pressed steel rim with tubular steel hub, pressed rim (special shock and impact-resistant design), zinc-plated, blue-passivated, Cr6-free. Tyre pressed with rim.




Technical data

Wheel Ø (D)	250 mm
Wheel width (T2)	60 mm
Load capacity	295 kg
Total height (H)	295 mm
Unit weight	6 kg
Temperature range from	-25 °C
Temperature range to	80 °C
Tread & tyre hardness	80° Shore A
Bearing type	
Plate size (A,B)	220 x 120 mm
Bolt hole Ø (d)	15 mm
Bolt hole spacing (a,b)	190 x 75 mm

Rolling resistance	<input checked="" type="checkbox"/> <input checked="" type="checkbox"/> <input type="checkbox"/> <input type="checkbox"/> <input type="checkbox"/>
Operating noise	<input checked="" type="checkbox"/> <input checked="" type="checkbox"/> <input checked="" type="checkbox"/> <input checked="" type="checkbox"/> <input type="checkbox"/>
Floor surface preservation	<input checked="" type="checkbox"/> <input checked="" type="checkbox"/> <input checked="" type="checkbox"/> <input checked="" type="checkbox"/> <input type="checkbox"/>

B-V 252R

Variants	
	Antistatic version
	With pressed steel thread guard, zinc-plated
	With non-marking grey tyre