

EA986HB-3



EAN: 4047526005726

ID: 5728

, Wheel with standard solid rubber tyres, with pressed steel rim, reinforced design

Bracket:

Made of pressed steel, with double ball bearing in the swivel head, ball protection by the special top plate and ball disc design. The special Blickle dynamic riveting process of the swivel head results in minimal swivel head play and smooth rolling characteristics with an increased service life achieved by the work hardening of the ball race grooves. Bolted wheel axle. Zinc-plated, blue-passivated, Cr6-free.

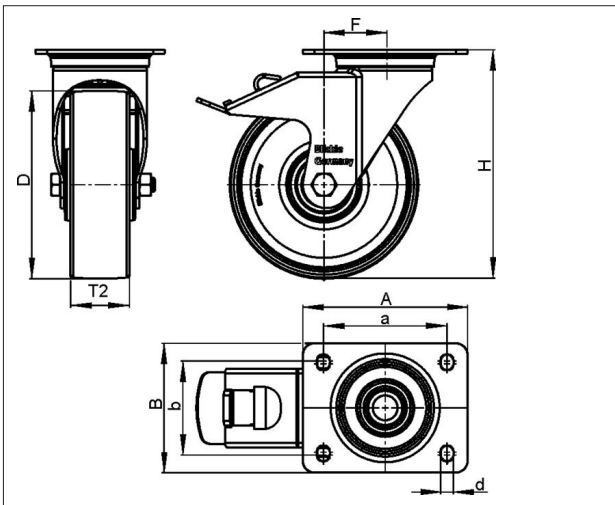
Wheels:

Tyre & running tread: Made of standard solid rubber, very high operational comfort, low-noise operation, very good floor preservation, PAH conform acc. to EU directive 2005/69/EC. Tread colour: black

Rim / wheel centre: Pressed steel rim with tubular steel hub, bolted, zinc-plated, blue-passivated, Cr6-free.

Variants:

mit Feststeller "stop-fix"



Technical data

Wheel Ø (D)	125 mm
Wheel width (T2)	37,5 mm
Load capacity	100 kg
Total height (H)	150 mm
Offset swvl castor (F)	40 mm
Unit weight	1.38 kg
Temperature range from	-25 °C
Temperature range to	80 °C
Tread & tyre hardness	80° Shore A
Bearing type	
Plate size (A,B)	100 x 85 mm
Bolt hole Ø (d)	9 mm
Bolt hole spacing (a,b)	80 x 60 mm

Rolling resistance	
Operating noise	
Floor surface preservation	