

# EA986HC-200



**EAN: 4047526050047**

**ID: 50047**

**, Wheel with standard solid rubber tyres, with pressed steel rim, reinforced design**

**Bracket:**

Made of heavy pressed steel, with double ball bearing in the swivel head, strong central kingpin, swivel head seals. The special Blickle dynamic riveting process of the swivel head results in minimal swivel head play and smooth rolling characteristics with an increased service life achieved by the work hardening of the ball race grooves. Bolted wheel axle. Zinc-plated, blue-passivated, Cr6-free.

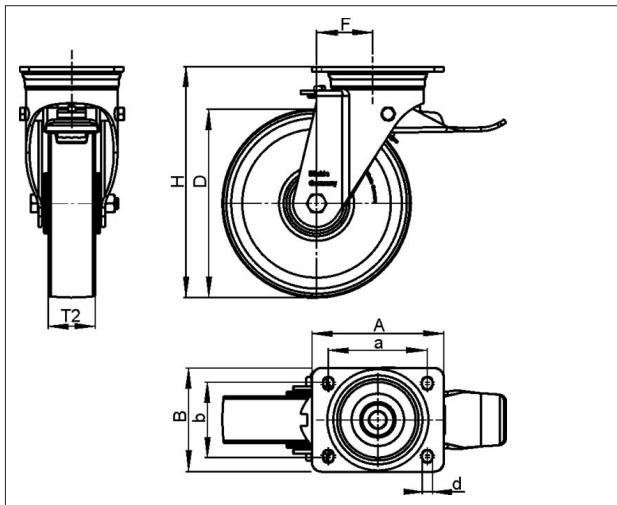
**Wheels:**

**Tyre & running tread:** Made of standard solid rubber, very high operational comfort, low-noise operation, very good floor preservation, PAH conform acc. to EU directive 2005/69/EC. Tread colour: black

**Rim / wheel centre:** Pressed steel rim with tubular steel hub, bolted, zinc-plated, blue-passivated, Cr6-free.

**Variants:**

mit Feststeller "stop-top"



**Technical data**

Wheel Ø (D)	200 mm
Wheel width (T2)	50 mm
Load capacity	205 kg
Total height (H)	235 mm
Offset swvl castor (F)	65 mm
Unit weight	4.18 kg
Temperature range from	-25 °C
Temperature range to	80 °C
Tread & tyre hardness	80° Shore A
Bearing type	
Plate size (A,B)	140 x 110 mm
Bolt hole Ø (d)	11 mm
Bolt hole spacing (a,b)	105 x 75-80 mm

Rolling resistance



Operating noise



Floor surface preservation



L-V 202R-ST

Variants	
	Antistatic version
	With pressed steel thread guard, zinc-plated
	With non-marking grey tyre
	With 'stop-top' brake