

# EA986HG-220



**EAN: 4047526255039**

**ID: 255034**

**Pressed steel fixed castor, medium duty brackets, with top plate fitting, Wheel with pneumatic tyres, with pressed steel rim**

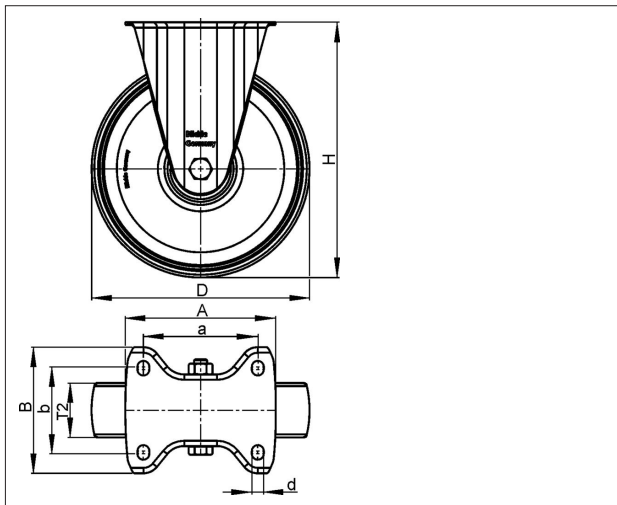
**Bracket:**

Made of pressed steel. Bolted wheel axle. Zinc-plated, blue-passivated, Cr6-free.

**Wheels:**




**Tyre & running tread:** Pneumatic tyre with tube, outstandingly high operational comfort, exceptionally high floor preservation, PAH conform acc. to EU directive 2005/69/EC. Tread colour: black

**Rim / wheel centre:** Made of pressed steel, with tubular steel hub, zinc-plated, blue-passivated, Cr6-free. Tyre mounted on rim.



**Technical data**

Wheel Ø (D)	220 mm
Wheel width (T2)	65 mm
Profile	R01
Load capacity	100 kg
Total height (H)	255 mm
Unit weight	2.41 kg
Temperature range from	-25 °C
Temperature range to	50 °C
Tread & tyre hardness	65° Shore A
Bearing type	
Plate size (A,B)	140 x 110 mm
Bolt hole Ø (d)	11 mm
Bolt hole spacing (a,b)	105 x 75-80 mm

Rolling resistance	
Operating noise	
Floor surface preservation	

**Blickle Räder+Rollen GmbH u. Co. KG**

Heinrich-Blickle-Straße 1 · 72348 Rosenfeld · Germany  
 Telefon: +49 7428 932-0 · Telefax: +49 7428 932-209  
 E-Mail: info@blickle.com · Internet: www.blickle.com

© Blickle Räder+Rollen GmbH u. Co. KG 2013  
 Rosenfeld · Germany

**B-P 220R**

Variants



With non-marking grey  
tyre