

EA986HG-260



EAN: 4047526040529

ID: 40527

Pressed steel fixed castor, medium duty brackets, with top plate fitting, Wheel with pneumatic tyres, with pressed steel rim

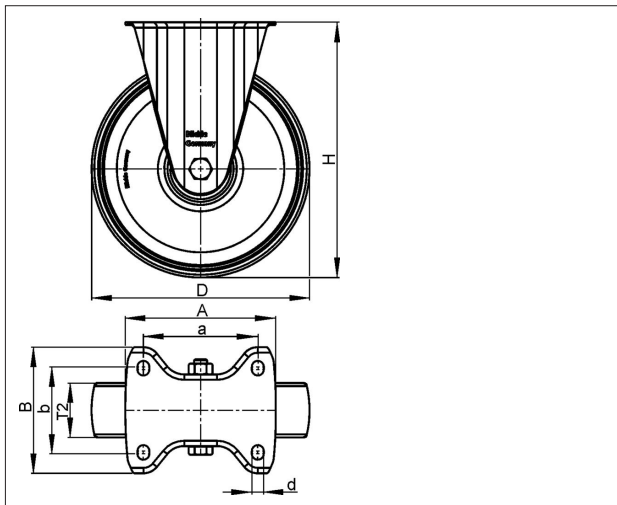
Bracket:

Made of pressed steel. Bolted wheel axle. Zinc-plated, blue-passivated, Cr6-free.

Wheels:

Tyre & running tread: Pneumatic tyre with tube, outstandingly high operational comfort, exceptionally high floor preservation, PAH conform acc. to EU directive 2005/69/EC. Tread colour: black

Rim / wheel centre: Made of pressed steel, with tubular steel hub, zinc-plated, blue-passivated, Cr6-free. Tyre mounted on rim.



Technical data

Wheel Ø (D)	260 mm
Wheel width (T2)	85 mm
Profile	R01
Load capacity	250 kg
Total height (H)	308 mm
Unit weight	4.12 kg
Temperature range from	-25 °C
Temperature range to	50 °C
Tread & tyre hardness	65° Shore A
Bearing type	
Plate size (A,B)	220 x 120 mm
Bolt hole Ø (d)	15 mm
Bolt hole spacing (a,b)	190 x 75 mm

Rolling resistance



Operating noise



Floor surface preservation



B-P 265R

Variants



With non-marking grey
tyre