

EA986HP-6



EAN: 4047526011642

ID: 11643

, Nylon wheel

Bracket:

Made of heavy pressed steel, with heavy fork and top plate, very strong bolted and secured central kingpin, double ball bearing in the swivel head, additionally reinforced by the integration of four specially shaped and hardened bearing seats resulting in a very high resistance to shock and impact loads. Bolted wheel axle. Bolted wheel axle. Zinc-plated, blue-passivated, Cr6-free.

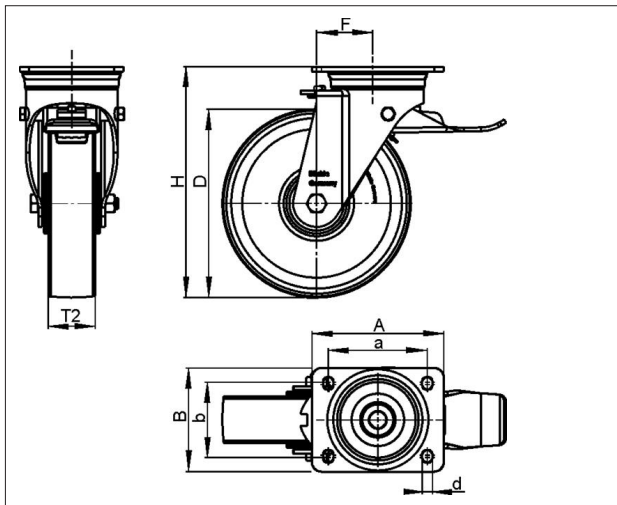
Wheels:

Tyre & running tread: Made of high-quality, impact-resistant nylon. Tread colour: natural white

Rim / wheel centre: -

Variants:

mit Feststeller "stop-top"



Technical data

Wheel Ø (D)	200 mm
Wheel width (T2)	50 mm
Load capacity	600 kg
Total height (H)	245 mm
Offset swvl castor (F)	67 mm
Unit weight	4.29 kg
Temperature range from	-25 °C
Temperature range to	80 °C
Tread & tyre hardness	70° Shore D
Bearing type	
Plate size (A,B)	140 x 110 mm
Bolt hole Ø (d)	11 mm
Bolt hole spacing (a,b)	105 x 75-80 mm

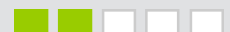
Rolling resistance






Operating noise



Floor surface preservation



LH-PO 200K-ST

Variants	
	With central braking system 'central-stop'
	With pressed steel thread guard, zinc-plated
	With 'ideal-stop' brake
	With 'stop-top' brake