

EA986HR-125



EAN: 4047526654559

ID: 654558

Pressed steel fixed castor, medium heavy duty brackets, with top plate fitting, Nylon wheel

Bracket:

Made of pressed steel. Bolted wheel axle. Zinc-plated, blue-passivated, Cr6-free.

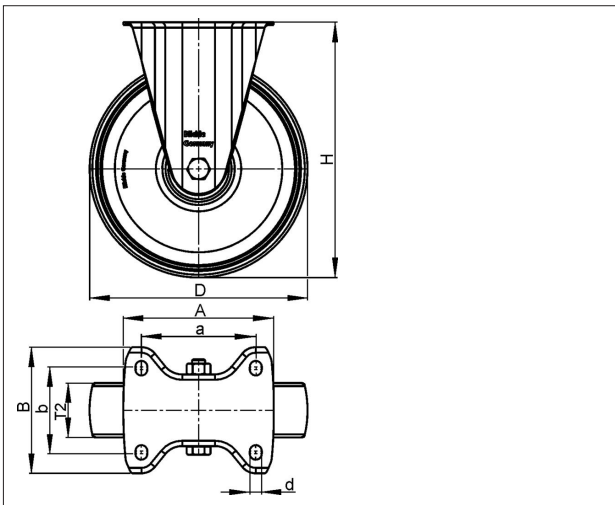
Wheels:

Tyre & running tread: Made of high-quality, impact-resistant nylon. Tread colour:natural white

Rim / wheel centre: -

Variants:

mit Fadenschutzaus Stahlblech, verzinkt



Technical data

Wheel Ø (D)	125 mm
Wheel width (T2)	40 mm
Load capacity	300 kg
Total height (H)	155 mm
Unit weight	0.856 kg
Temperature range from	-25 °C
Temperature range to	80 °C
Tread & tyre hardness	70° Shore D
Bearing type	
Plate size (A,B)	100 x 85 mm
Bolt hole Ø (d)	9 mm
Bolt hole spacing (a,b)	80 x 60 mm

Rolling resistance



Operating noise



Floor surface preservation



BK-PO 125K-1-FA

Variants



With pressed steel
thread guard, zinc-
plated