

## Product Data Sheet



### LK-PO 75R-ST-FA

EAN 4047526336707

ID 336701

**Pressed steel swivel castor, medium heavy duty brackets, with top plate fitting and 'stop-top' brake, Nylon wheel**

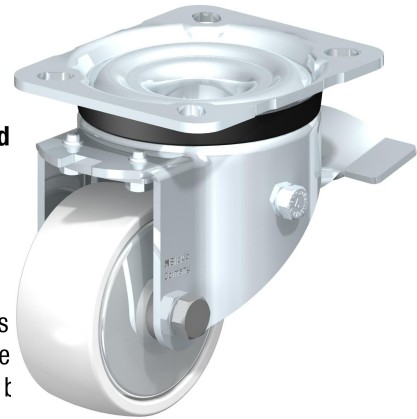
#### Bracket:

Made of heavy pressed steel, swivel bracket with double ball bearing in the swivel head, swivel head seals. The special Blickle dynamic riveting process of the swivel head results minimal swivel head play and smooth rolling characteristics with an increased service life achieved by the work hardening of the ball race grooves. Bolted wheel axle. Zinc-plated, t-passivated, Cr6-free.

**Wheels:** Made of high-quality, impact-resistant nylon. **Tread colours:**

natural white

**Wheel centre/rim: - Wheel centre colour:** natural white



#### Rolling resistance

■■■■■ Excellent

#### Operating noise

■■□□□ Satisfactory

#### Floor surface preservation

■■□□□ Satisfactory

# Product Data Sheet



## Technical data

Plate size		100 x 85
Bolt hole spacing		80 x 60
Bolt hole Ø		9
Wheel Ø		75 mm (D)
Wheel width		32 mm (T2)
Load capacity		200 kg
Total height		108 mm (H)
Offset swivel castor		40 mm
unit weight		1 kg
Temperature resistance		-25 ° C
Temperature resistance to		80 ° C
tread and tyre hardness		70° Shore D
Bearing type		Roller bearing

