

EA986HV-50



EAN: 4047526275273

ID: 275271

Light duty fixed castor with top plate fitting, Nylon wheel

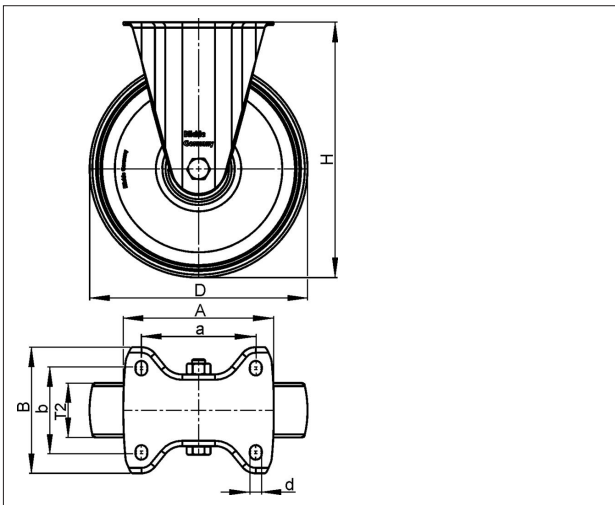
Bracket:

Made of pressed steel. Bolted wheel axle. Zinc-plated, blue-passivated, Cr6-free.

Wheels:

Tyre & running tread: Made of high-quality, impact-resistant nylon, very low rolling and swivelling resistance, smooth running performance on even floors, very high abrasion resistance. Tread colour: black

Rim / wheel centre: -



Technical data

Wheel Ø (D)	50 mm
Wheel width (T2)	18 mm
Load capacity	75 kg
Total height (H)	71 mm
Unit weight	0.137 kg
Temperature range from	-25 °C
Temperature range to	80 °C
Tread & tyre hardness	70° Shore D
Bearing type	
Plate size (A,B)	60 x 60 mm
Bolt hole Ø (d)	6,2 mm
Bolt hole spacing (a,b)	38x38/48x48 mm

Rolling resistance	
Operating noise	
Floor surface preservation	