

EA986JA-125



EAN: 4047526310080

ID: 310086

Pressed steel fixed castor, medium duty brackets, with top plate fitting, Wheel with standard solid rubber tyres, with synthetic rim

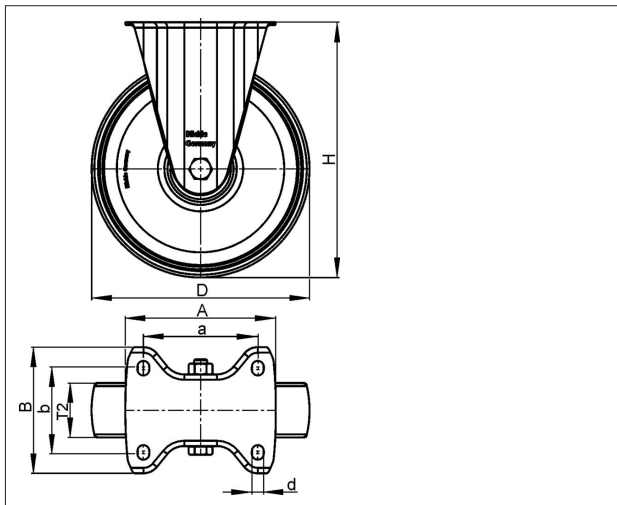
Bracket:

Made of pressed steel. Bolted wheel axle. Zinc-plated, blue-passivated, Cr6-free.

Wheels:




Tyre & running tread: Made of standard solid rubber, very high operational comfort, low-noise operation, very good floor preservation, PAH conform acc. to EU directive 2005/69/EC. Tread colour: black

Rim / wheel centre: Made of high-quality, impact-resistant polypropylene. Pressed-on tyre.





Technical data

Wheel Ø (D)	125 mm
Wheel width (T2)	37,5 mm
Load capacity	100 kg
Total height (H)	150 mm
Unit weight	0.81 kg
Temperature range from	-20 °C
Temperature range to	60 °C
Tread & tyre hardness	80° Shore A
Bearing type	
Plate size (A,B)	100 x 85 mm
Bolt hole Ø (d)	9 mm
Bolt hole spacing (a,b)	80 x 60 mm

Rolling resistance	
Operating noise	
Floor surface preservation	

B-VPP 125R

Variants	
	With pressed steel thread guard, zinc-plated
	With non-marking grey tyre