

EA986JB-125



EAN: 4047526027209

ID: 27201

Pressed steel swivel castor, medium heavy duty brackets, with top plate fitting, Wheel with standard solid rubber tyres, with synthetic rim

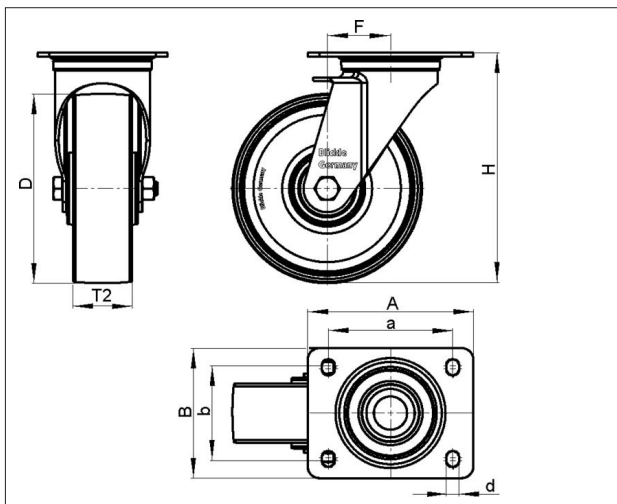
Bracket:

Made of pressed steel, with double ball bearing in the swivel head, ball protection by the special top plate and ball disc design. The special Blickle dynamic riveting process of the swivel head results in minimal swivel head play and smooth rolling characteristics with an increased service life achieved by the work hardening of the ball race grooves. Bolted wheel axle. Zinc-plated, blue-passivated, Cr6-free.

Wheels:

Tyre & running tread: Made of standard solid rubber, very high operational comfort, low-noise operation, very good floor preservation, PAH conform acc. to EU directive 2005/69/EC. Tread colour: black

Rim / wheel centre: Made of high-quality, impact-resistant polypropylene. Pressed-on tyre.



Technical data

Wheel Ø (D)	125 mm
Wheel width (T2)	37,5 mm
Load capacity	100 kg
Total height (H)	150 mm
Offset swvl castor (F)	40 mm
Unit weight	0.93 kg
Temperature range from	-20 °C
Temperature range to	60 °C
Tread & tyre hardness	80° Shore A
Bearing type	
Plate size (A,B)	100 x 85 mm
Bolt hole Ø (d)	9 mm
Bolt hole spacing (a,b)	80 x 60 mm

Rolling resistance






Operating noise



Floor surface preservation



L-VPP 125R

Variants	
	With pressed steel thread guard, zinc-plated
	With non-marking grey tyre
	With 'stop-top' brake