

EA986JB-160



EAN: 4047526020705

ID: 20701

Pressed steel swivel castor, medium heavy duty brackets, with top plate fitting, Wheel with standard solid rubber tyres, with synthetic rim

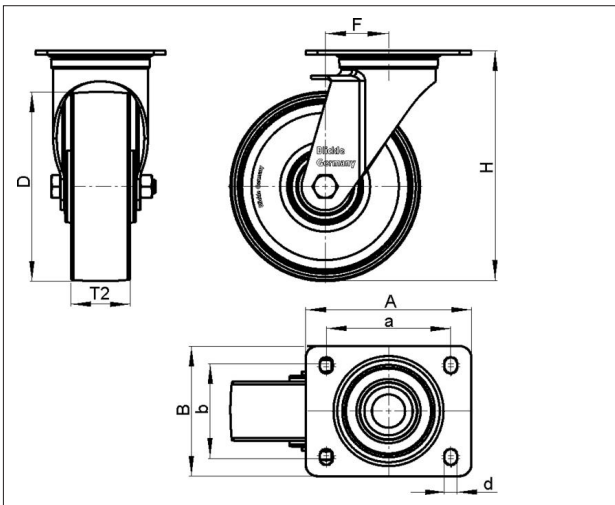
Bracket:

Made of heavy pressed steel, with double ball bearing in the swivel head, strong central kingpin, swivel head seals. The special Blickle dynamic riveting process of the swivel head results in minimal swivel head play and smooth rolling characteristics with an increased service life achieved by the work hardening of the ball race grooves. Bolted wheel axle. Zinc-plated, blue-passivated, Cr6-free.

Wheels:

Tyre & running tread: Made of standard solid rubber, very high operational comfort, low-noise operation, very good floor preservation, PAH conform acc. to EU directive 2005/69/EC. Tread colour: black

Rim / wheel centre: Made of high-quality, impact-resistant polypropylene. Pressed-on tyre.



Technical data

Wheel Ø (D)	160 mm
Wheel width (T2)	40 mm
Load capacity	135 kg
Total height (H)	195 mm
Offset swivel castor (F)	60 mm
Unit weight	2.269 kg
Temperature range from	-20 °C
Temperature range to	60 °C
Tread & tyre hardness	80° Shore A
Bearing type	
Plate size (A,B)	140 x 110 mm
Bolt hole Ø (d)	11 mm
Bolt hole spacing (a,b)	105 x 75-80 mm

Rolling resistance





Operating noise



Floor surface preservation



L-VPP 160R

Variants	
	With pressed steel thread guard, zinc-plated
	With non-marking grey tyre
	With 'stop-top' brake