

EA986JG-250



EAN: 4047526034672

ID: 34678

Pressed steel fixed castor, medium duty brackets, with top plate fitting, Heavy duty wheel with super-elastic solid rubber tyre

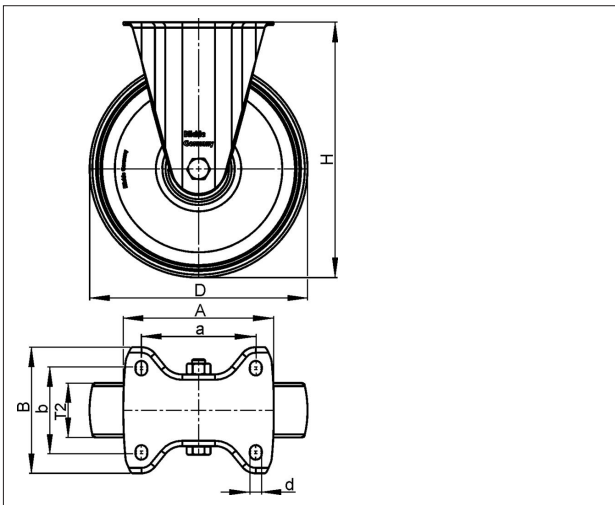
Bracket:

Made of pressed steel. Bolted wheel axle. Zinc-plated, blue-passivated, Cr6-free.

Wheels:

Tyre & running tread: Made of super-elastic solid rubber, tough and hard rubber core, steel-wire reinforced, very high operational comfort, good floor preservation. Tread colour: black

Rim / wheel centre: Pressed steel rim, pressed and bolted, with welded tubular steel hub, or pressed steel rim with reinforced rim version, zinc-plated, blue-passivated, Cr6-free.



Technical data

Wheel Ø (D)	250 mm
Wheel width (T2)	85 mm
Load capacity	450 kg
Total height (H)	295 mm
Unit weight	7.822 kg
Temperature range from	-30 °C
Temperature range to	80 °C
Tread & tyre hardness	65° Shore A
Bearing type	
Plate size (A,B)	220 x 120 mm
Bolt hole Ø (d)	15 mm
Bolt hole spacing (a,b)	190 x 75 mm

Rolling resistance



Operating noise



Floor surface preservation

