
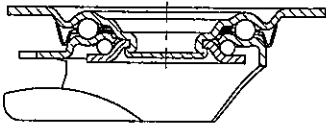
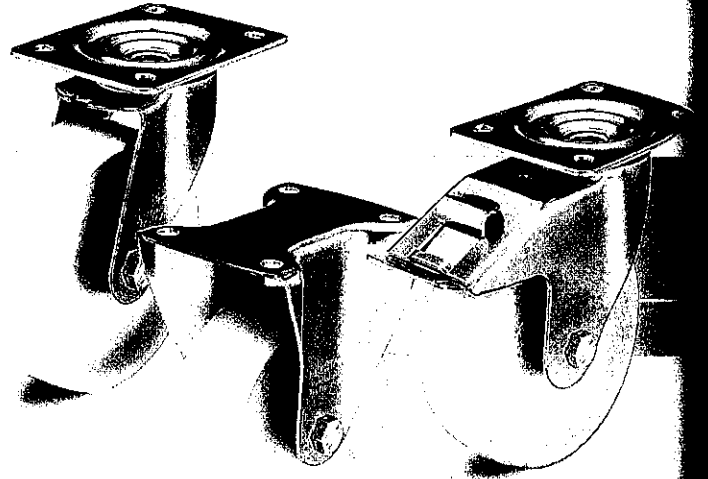


Series: LE-PO, B-PO

Pressed steel castors with top plate fitting, with nylon wheel

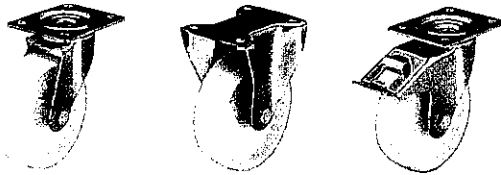
 150 - 300 kg

 RoHS










Brackets: LE/B series - Made of pressed steel, swivel bracket with double ball bearing in the swivel head, swivel head seals. The special Blickle dynamic riveting process of the swivel head results in minimal swivel head play and smooth rolling characteristics with an increased service life achieved by the work hardening of the ball race grooves. Bolted wheel axle. Zinc-plated, blue-passivated, Cr6-free. Bracket overview: Page 64 Top plate drawings: Page 77 Wheel and swivel head 'stop-fix' brake: Page 80

Wheels: PO series - Made of high-quality, impact-resistant nylon, 70° shore D, natural white. Bearing types: Plain bore, roller bearing or a centrally encapsulated ball bearing (C). Detailed description: Page 276, 277 and 49



Swivel castors	Fixed castors	Swivel castors with 'stop-fix' brake	Wheel Ø [mm]	Wheel width [mm]	Load capacity [kg]	Bearing type	Total height [mm]	Plate size [mm]	Bolt hole spacing [mm]	Bolt hole Ø [mm]	Offset swivel castor [mm]
LE-PO 60G	B-PO 60G		60	29	150	Plain bore	80	100 x 85	80 x 60	9	35
LE-PO 60K	B-PO 60K		60	32	150	Ball bearing (C)	80	100 x 85	80 x 60	9	35
LE-PO 75G	B-PO 75G	LE-PO 75G-FI	75	32	150	Plain bore	100	100 x 85	80 x 60	9	38
LE-PO 75R	B-PO 75R	LE-PO 75R-FI	75	32	150	Roller bearing	100	100 x 85	80 x 60	9	38
LE-PO 80G	B-PO 80G	LE-PO 80G-FI	80	32	150	Plain bore	102	100 x 85	80 x 60	9	38
LE-PO 80R	B-PO 80R	LE-PO 80R-FI	80	32	150	Roller bearing	102	100 x 85	80 x 60	9	38
LE-PO 80K	B-PO 80K	LE-PO 80K-FI	80	32	150	Ball bearing (C)	102	100 x 85	80 x 60	9	38
LE-PO 100G	B-PO 100G	LE-PO 100G-FI	100	37	150	Plain bore	125	100 x 85	80 x 60	9	36
LE-PO 100R	B-PO 100R	LE-PO 100R-FI	100	37	150	Roller bearing	125	100 x 85	80 x 60	9	36
LE-PO 100K	B-PO 100K	LE-PO 100K-FI	100	37	150	Ball bearing (C)	125	100 x 85	80 x 60	9	36
LE-PO 125G	B-PO 125G	LE-PO 125G-FI	125	40	150	Plain bore	150	100 x 85	80 x 60	9	40
LE-PO 125R	B-PO 125R	LE-PO 125R-FI	125	40	150	Roller bearing	150	100 x 85	80 x 60	9	40
LE-PO 125K	B-PO 125K	LE-PO 125K-FI	125	40	150	Ball bearing (C)	150	100 x 85	80 x 60	9	40
LE-PO 150G	B-PO 150G	LE-PO 150G-FI	150	50	300	Plain bore	190	140 x 110	105 x 75-80	11	54
LE-PO 150R	B-PO 150R	LE-PO 150R-FI	150	50	300	Roller bearing	190	140 x 110	105 x 75-80	11	54
LE-PO 160G	B-PO 160G	LE-PO 160G-FI	160	50	300	Plain bore	195	140 x 110	105 x 75-80	11	54
LE-PO 160R	B-PO 160R	LE-PO 160R-FI	160	50	300	Roller bearing	195	140 x 110	105 x 75-80	11	54
LE-PO 175G	B-PO 175G	LE-PO 175G-FI	175	50	300	Plain bore	213	140 x 110	105 x 75-80	11	54
LE-PO 175R	B-PO 175R	LE-PO 175R-FI	175	50	300	Roller bearing	213	140 x 110	105 x 75-80	11	54
LE-PO 200G	B-PO 200G	LE-PO 200G-FI	200	50	300	Plain bore	235	140 x 110	105 x 75-80	11	54
LE-PO 200R	B-PO 200R	LE-PO 200R-FI	200	50	300	Roller bearing	235	140 x 110	105 x 75-80	11	54

For stainless steel versions refer to page 369

Options							
Technical description page	36, 40	84	80	81	83	84	61
Product code suffix	-ELS	-FA	-ST	-CS11	refer to *	-FP / -FS	-KD
Available for	upon request	wheel Ø 75-200 mm	wheel Ø 150-200 mm	wheel Ø 160+200 mm	for wheel Ø and plate dimensions refer to *	upon request	ball bearing (C) version

* RI-03.01 available for wheel Ø 75, 100, 125 mm, RI-03.03 available for wheel Ø 150 - 200 mm (only for swivel castors without brake)

Blickle®

Series: PO, wheel Ø 50 - 125x40 mm

Nylon wheels

75 - 300 kg

✓RoHS

Tread & tyre hardness	70° shore D
Temperature resistance	-25° C - +80° C
Rolling resistance	excellent
Operating noise	reasonable
Floor surface preservation	reasonable

PO-wheel series:
Made of high-quality, impact-resistant nylon, medium heavy wheel design, 70° shore D hardness, very low rolling and swivel resistance, smooth running performance on even floors, high abrasion resistance, colour natural white. (Material description page 40)

Bearing types:

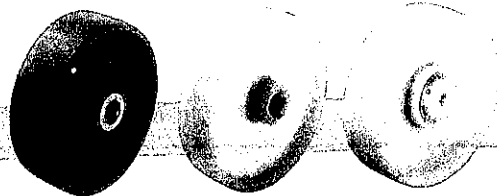
- Plain bore, corrosion-resistant
- Roller bearing, lubricated with long-life grease
- Ball bearing: Two pressed-in ball bearings, lubricated with long-life grease.
- Ball bearing (C): A centrally encapsulated sealed ball bearing within the injected nylon, lubricated with long-life grease.

Other features:
High chemical resistance to many aggressive substances (table page 36-37).
Operating temperature: -25° C to +80° C.
At ambient temperatures above +35° C the load capacity is reduced.
Maintenance-free under standard conditions.
Wheel series overview page 49

Wheels	Wheel Ø (D) [mm]	Wheel width (T2) [mm]	Load capacity [kg]	Bearing type	Axle bore Ø (d) [mm]	Hub length (T1) [mm]
PO 50/8G	50	18	75	Plain bore	8	22
PO 60/12G	60	29	150	Plain bore	12	35
PO 60/8K	60	32	150	Ball bearing (C)	8	36
PO 76/8G	75	23	100	Plain bore	8	29.5
PO 75/12G	75	32	200	Plain bore	12	35
PO 75/12-45G	75	32	200	Plain bore	12	45
PO 75/12R	75	32	200	Roller bearing	12	35
PO 80/12G	80	32	220	Plain bore	12	35
PO 80/12R	80	32	220	Roller bearing	12	35
PO 80/8K	80	32	220	Ball bearing (C)	8	36
PO 82/15G	80	37	230	Plain bore	15	45
PO 82/15R	80	37	230	Roller bearing	15	45
PO 82/15K	80	37	250	Ball bearing	15	45
PO 101/12G	100	32	240	Plain bore	12	35
PO 100/12G	100	37	280	Plain bore	12	45
PO 100/15G	100	37	280	Plain bore	15	45
PO 100/12R	100	37	280	Roller bearing	12	45
PO 100/15R	100	37	280	Roller bearing	15	45
PO 100/8K	100	37	280	Ball bearing (C)	8	46
PO 100/10K	100	37	280	Ball bearing (C)	10	46
PO 126/12G	125	32	260	Plain bore	12	35
PO 125/12G	125	40	300	Plain bore	12	45
PO 125/15G	125	40	300	Plain bore	15	45
PO 125/20G	125	40	300	Plain bore	20	45
PO 125/12R	125	40	300	Roller bearing	12	45
PO 125/15R	125	40	300	Roller bearing	15	45
PO 125/8K	125	40	300	Ball bearing (C)	8	46
PO 125/10K	125	40	300	Ball bearing (C)	10	46

For further wheel Ø refer to the next page

Options



	Electrically conductive version, non-marking grey	With stainless steel roller bearing in the wheel hub	Wheel with additional ball bearing seals
Technical description page	36, 40	60	61
Product code suffix	-ELS	-XR	-KD
Available for	upon request	all sizes	ball bearing (C) version

