

EA986KG-12



EAN: 4047526562946

ID: 562942

, Heavy duty wheel with Blickle Extrathane® polyurethane tread, with cast iron wheel centre

**Bracket:**

Made of heavy pressed steel, with heavy fork and top plate, very strong bolted and secured central kingpin, double ball bearing in the swivel head, additionally reinforced by the integration of four specially shaped and hardened bearing seats resulting in a very high resistance to shock and impact loads. Bolted wheel axle. Zinc-plated, blue-passivated, Cr6-free.

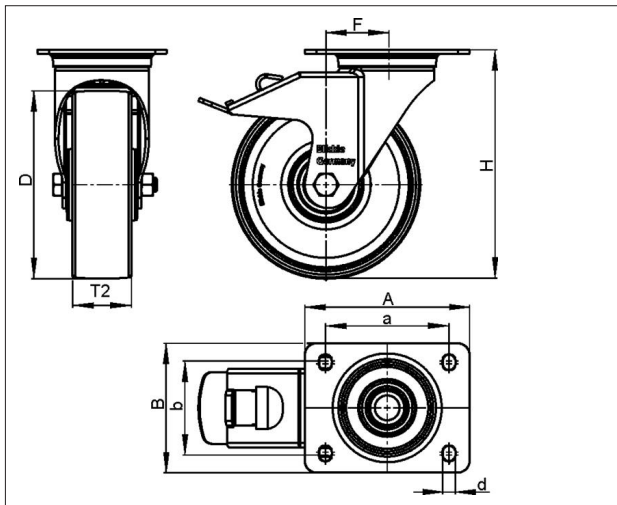
**Wheels:**

**Tyre & running tread:** Made of high-quality, reaction-injected polyurethane-elastomer Blickle Extrathane®, low-noise operation, low rolling resistance, good floor preservation, very high abrasion resistance, high cut and tear propagation resistance, very good chemical connection with the wheel centre. Tread colour: light brown

**Rim / wheel centre:** Made of grey cast iron, lacquered. Casted tread.

**Variants:**

mit Feststeller "stop-fix"



Technical data

Wheel Ø (D)	125 mm
Wheel width (T2)	50 mm
Load capacity	600 kg
Total height (H)	170 mm
Offset swvl castor (F)	55 mm
Unit weight	5.33 kg
Temperature range from	-25 °C
Temperature range to	70 °C
Tread & tyre hardness	92° Shore A
Bearing type	
Plate size (A,B)	140 x 110 mm
Bolt hole Ø (d)	11 mm
Bolt hole spacing (a,b)	105 x 75-80 mm

Rolling resistance



Operating noise



Floor surface preservation

