

EA986KR-2



EAN: 4047526279844

ID: 279844

, Heavy duty wheel with Blickle Extrathane® polyurethane tread, with cast iron wheel centre

Bracket:

Particularly rugged welded steel construction, with axial grooved ball bearing DIN 711 and tapered roller bearing DIN 720 in the swivel head, dust and splash-proof, fitted grease nipple, bolted and secured with a welded very strong central kingpin. Bolted wheel axle. Zinc-plated, yellow-passivated, Cr6-free.

Wheels:

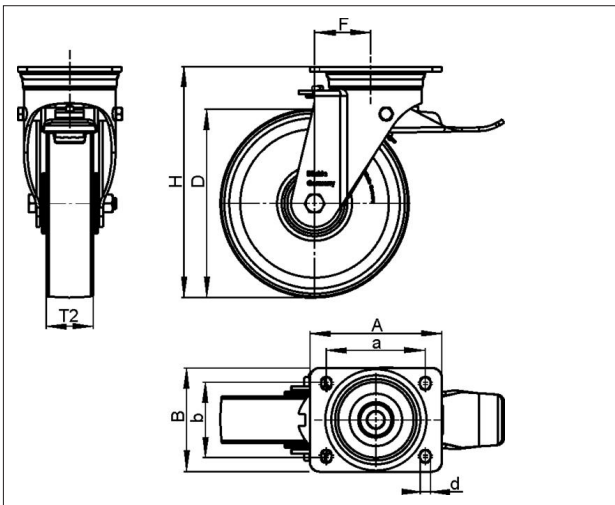
Tyre & running tread: Made of high-quality, reaction-injected polyurethane-elastomer Blickle Extrathane®, low-noise operation, low rolling resistance, good floor preservation, very high abrasion resistance, high cut and tear propagation resistance, very good chemical connection with the wheel centre. Tread colour: light brown

Rim / wheel centre: Made of grey cast iron, lacquered.

Casted tread.

Variants:

mit Feststeller "stop-top"



Technical data

Wheel Ø (D)	200 mm
Wheel width (T2)	80 mm
Load capacity	1600 kg
Total height (H)	255 mm
Offset swvl castor (F)	65 mm
Unit weight	14.1 kg
Temperature range from	-25 °C
Temperature range to	70 °C
Tread & tyre hardness	92° Shore A
Bearing type	
Plate size (A,B)	175 x 140 mm
Bolt hole Ø (d)	14 mm
Bolt hole spacing (a,b)	140 x 105 mm

Rolling resistance



Operating noise



Floor surface preservation

