

# EA986KV-125



**EAN: 4047526518714**

**ID: 518712**

**Welded steel heavy duty fixed castor, Heavy duty nylon wheel**

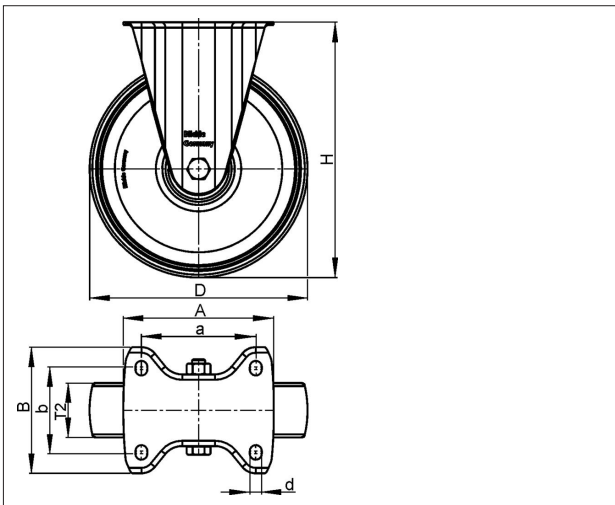
**Bracket:**

Particularly rugged welded steel construction. Bolted wheel axle. Lacquered, red.

**Wheels:**



**Tyre & running tread:** Made of high-quality, impact-resistant nylon, very rugged, heavy wheel design, very low rolling and swivelling resistance, smooth running performance on even floors, very high abrasion resistance.  
Tread colour:natural white

**Rim / wheel centre:** -



Technical data

Wheel Ø (D)	125 mm
Wheel width (T2)	50 mm
Load capacity	750 kg
Total height (H)	170 mm
Unit weight	2.496 kg
Temperature range from	-25 °C
Temperature range to	80 °C
Tread & tyre hardness	70° Shore D
Bearing type	
Plate size (A,B)	140 x 110 mm
Bolt hole Ø (d)	11 mm
Bolt hole spacing (a,b)	105 x 75-80 mm

Rolling resistance	
Operating noise	
Floor surface preservation	