

EA986KV-250



EAN: 4047526048358

ID: 48355

Welded steel heavy duty fixed castor, Heavy duty nylon wheel

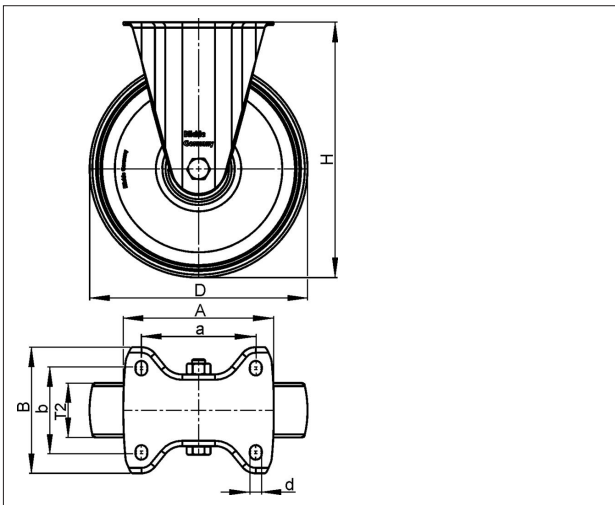
Bracket:

Particularly rugged welded steel construction. Bolted wheel axle. Lacquered, red.

Wheels:

Tyre & running tread: Made of high-quality, impact-resistant nylon, very rugged, heavy wheel design, very low rolling and swivelling resistance, smooth running performance on even floors, very high abrasion resistance. Tread colour:natural white

Rim / wheel centre: -



Technical data

Wheel Ø (D)	250 mm
Wheel width (T2)	65 mm
Load capacity	1200 kg
Total height (H)	295 mm
Unit weight	5.007 kg
Temperature range from	-25 °C
Temperature range to	80 °C
Tread & tyre hardness	70° Shore D
Bearing type	
Plate size (A,B)	140 x 110 mm
Bolt hole Ø (d)	11 mm
Bolt hole spacing (a,b)	105 x 75-80 mm

Rolling resistance



Operating noise



Floor surface preservation

