

EA986KX-100



EAN: 4047526591458

ID: 591453

**Welded steel heavy duty fixed castor, Heavy duty wheels made of cast nylon**

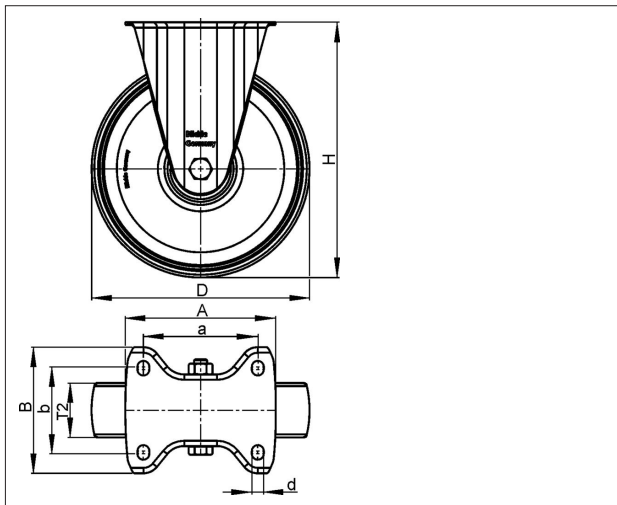
**Bracket:**

Particularly rugged welded steel construction. Bolted wheel axle. Zinc-plated, yellow-passivated, Cr6-free.

**Wheels:**

**Tyre & running tread:** Made of high-quality, impact-resistant, hard and tough, highly compressed cast nylon with outstanding load capacity, very low rolling and swivelling resistance, smooth running performance on even floors, very high abrasion resistance. Tread colour: natural beige

**Rim / wheel centre:** -



Technical data

Wheel Ø (D)	100 mm
Wheel width (T2)	55 mm
Load capacity	1500 kg
Total height (H)	145 mm
Unit weight	2.539 kg
Temperature range from	-25 °C
Temperature range to	80 °C
Tread & tyre hardness	80° Shore D
Bearing type	
Plate size (A,B)	140 x 110 mm
Bolt hole Ø (d)	11 mm
Bolt hole spacing (a,b)	105 x 75-80 mm

Rolling resistance



Operating noise



Floor surface preservation

