

EA986KX-125



EAN: 4047526048686

ID: 48686

Welded steel heavy duty fixed castor, Heavy duty wheels made of cast nylon

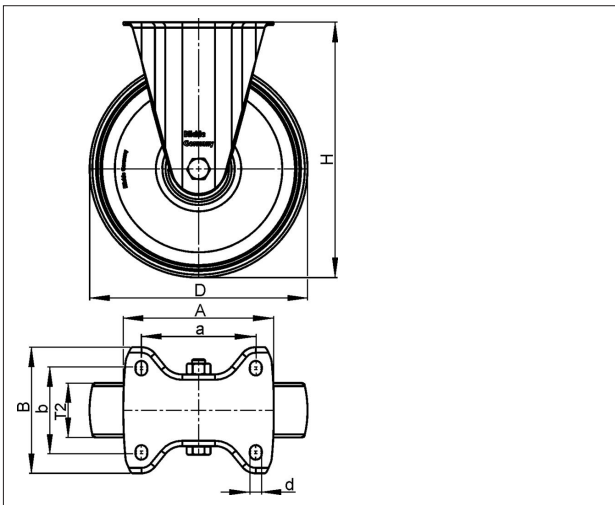
Bracket:

Particularly rugged welded steel construction. Bolted wheel axle. Zinc-plated, yellow-passivated, Cr6-free.

Wheels:



Tyre & running tread: Made of high-quality, impact-resistant, hard and tough, highly compressed cast nylon with outstanding load capacity, very low rolling and swivelling resistance, smooth running performance on even floors, very high abrasion resistance. Tread colour: natural beige

Rim / wheel centre: -



Technical data

Wheel Ø (D)	125 mm
Wheel width (T2)	55 mm
Load capacity	1750 kg
Total height (H)	170 mm
Unit weight	2.91 kg
Temperature range from	-25 °C
Temperature range to	80 °C
Tread & tyre hardness	80° Shore D
Bearing type	
Plate size (A,B)	140 x 110 mm
Bolt hole Ø (d)	11 mm
Bolt hole spacing (a,b)	105 x 75-80 mm

Rolling resistance	
Operating noise	
Floor surface preservation	