

EA986KX-150



EAN: 4047526608729

ID: 608729

Welded steel heavy duty fixed castor, Heavy duty wheels made of cast nylon

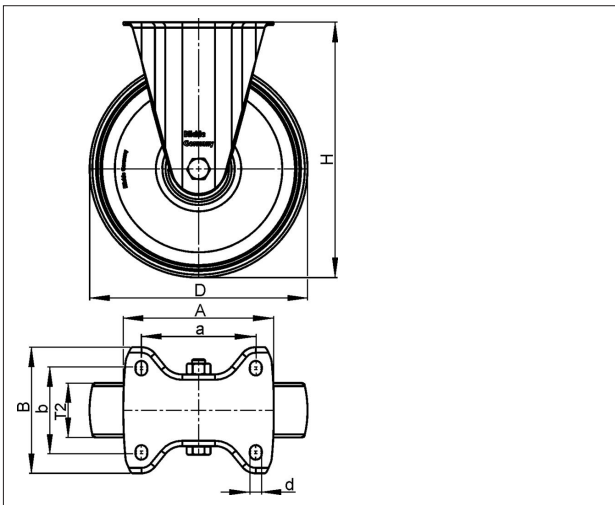
Bracket:

Particularly rugged welded steel construction. Bolted wheel axle. Zinc-plated, yellow-passivated, Cr6-free.

Wheels:

Tyre & running tread: Made of high-quality, impact-resistant, hard and tough, highly compressed cast nylon with outstanding load capacity, very low rolling and swivelling resistance, smooth running performance on even floors, very high abrasion resistance. Tread colour: natural beige

Rim / wheel centre: -



Technical data

Wheel Ø (D)	150 mm
Wheel width (T2)	80 mm
Load capacity	3000 kg
Total height (H)	205 mm
Unit weight	6.313 kg
Temperature range from	-25 °C
Temperature range to	80 °C
Tread & tyre hardness	80° Shore D
Bearing type	
Plate size (A,B)	175 x 140 mm
Bolt hole Ø (d)	14 mm
Bolt hole spacing (a,b)	140 x 105 mm

Rolling resistance



Operating noise



Floor surface preservation

