

Product Data Sheet



BSD-GSPO 100K

EAN 4047526615215

ID 615211

Welded steel heavy duty twin wheel fixed castor, Heavy duty wheels made of cast nylon

Bracket:

Particularly rugged welded steel construction. Bolted wheel axle. Zin plated, yellow-passivated, Cr6-free.

Wheels:

Made of high-quality, impact-resistant nylon, very rugged, heavy wheel design, very low rolling and swivelling resistance, smooth running performance on even floors, very high abrasion resistance.

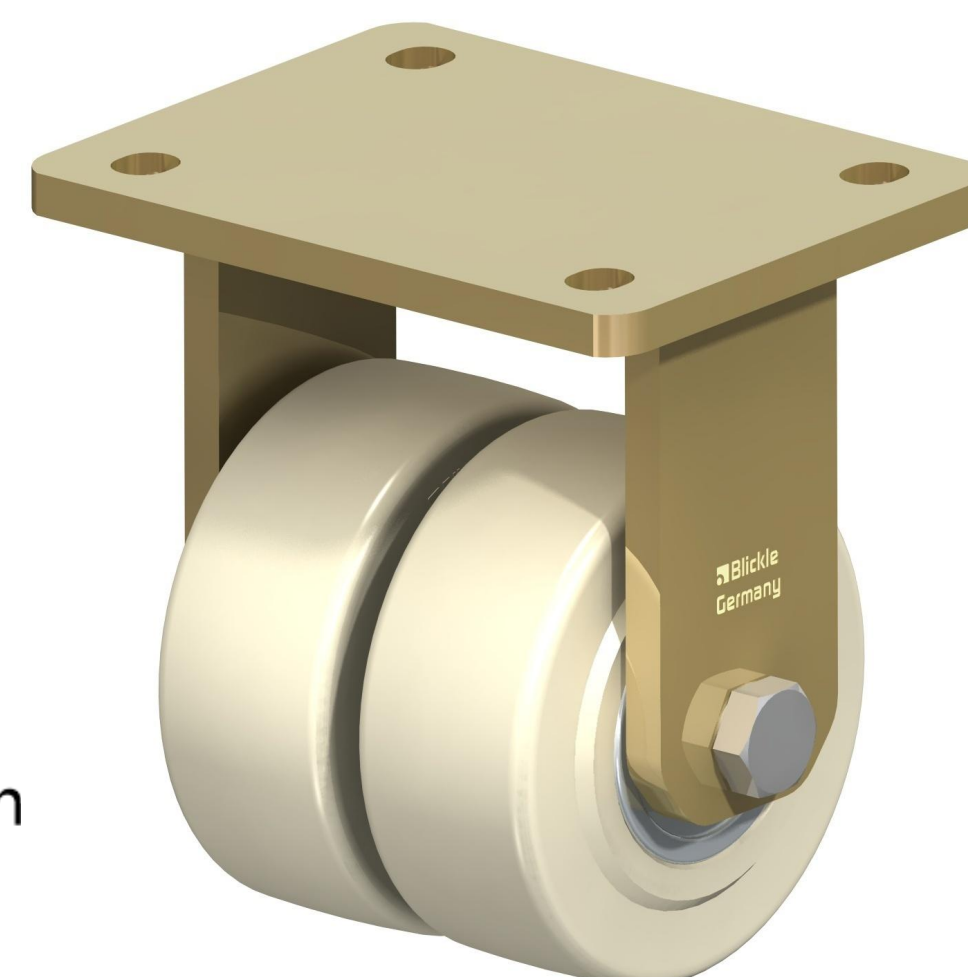
Tread/tyre:

Made of high-quality, impact-resistant cast nylon.

Tread colours natural beige

Wheel centre/rim: -

Wheel centre colour: natural beige



Rolling resistance

■■■■■ Excellent

Operating noise

■■□□□ Satisfactory

Floor surface preservation

■■□□□ Satisfactory

Product Data Sheet



Technical data

Plate size		140 x 175
Bolt hole spacing		105 x 140
Bolt hole Ø		14
Wheel Ø		100 mm (D)
Wheel width		2 x 40 mm (T2)
Load capacity		2200 kg
Total height		160 mm (H)
unit weight		4,7 kg
Temperature resistance		-25 ° C
Temperature resistance to tread and tyre hardness		80 ° C
Bearing type:		Ball bearing

