

EA986KX-200



EAN: 4047526283919

ID: 283911

**Welded steel heavy duty fixed castor, Heavy duty wheels made of cast nylon**

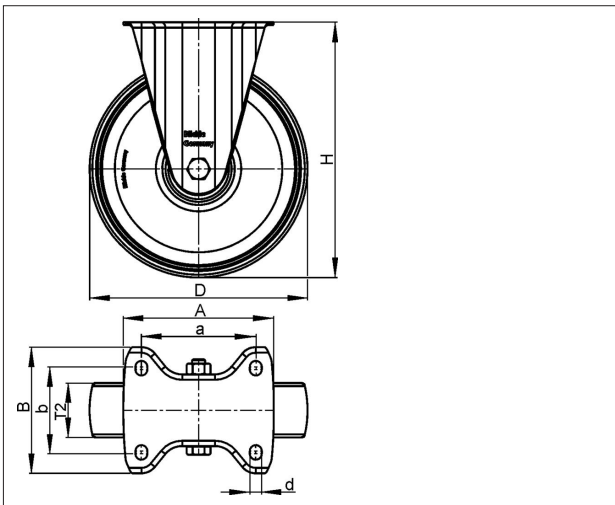
**Bracket:**

Particularly rugged welded steel construction. Bolted wheel axle. Zinc-plated, yellow-passivated, Cr6-free.

**Wheels:**

**Tyre & running tread:** Made of high-quality, impact-resistant, hard and tough, highly compressed cast nylon with outstanding load capacity, very low rolling and swivelling resistance, smooth running performance on even floors, very high abrasion resistance. Tread colour: natural beige

**Rim / wheel centre:** -



Technical data

Wheel Ø (D)	200 mm
Wheel width (T2)	80 mm
Load capacity	4500 kg
Total height (H)	280 mm
Unit weight	15.75 kg
Temperature range from	-25 °C
Temperature range to	80 °C
Tread & tyre hardness	80° Shore D
Bearing type	
Plate size (A,B)	255 x 200 mm
Bolt hole Ø (d)	18 mm
Bolt hole spacing (a,b)	210 x 160 mm

Rolling resistance



Operating noise



Floor surface preservation

