

EA986KY-1



EAN: 4047526057251

ID: 57257

, Heavy duty wheels made of cast nylon

**Bracket:**

Particularly rugged welded steel construction, with axial grooved ball bearing DIN 711 and tapered roller bearing DIN 720 in the swivel head, dust and splash-proof, fitted grease nipple, bolted and secured with a welded very strong central kingpin. Bolted wheel axle. Zinc-plated, yellow-passivated, Cr6-free.

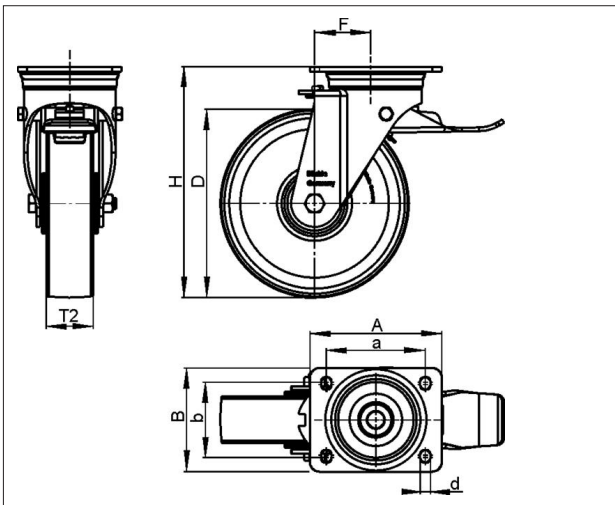
**Wheels:**

**Tyre & running tread:** Made of high-quality, impact-resistant, hard and tough, highly compressed cast nylon with outstanding load capacity, very low rolling and swivelling resistance, smooth running performance on even floors, very high abrasion resistance. Tread colour: natural beige

**Rim / wheel centre:** -

**Variants:**

mit Feststeller "stop-top"



Technical data

Wheel Ø (D)	125 mm
Wheel width (T2)	55 mm
Load capacity	1750 kg
Total height (H)	170 mm
Offset swvl castor (F)	50 mm
Unit weight	4.56 kg
Temperature range from	-25 °C
Temperature range to	80 °C
Tread & tyre hardness	80° Shore D
Bearing type	
Plate size (A,B)	140 x 110 mm
Bolt hole Ø (d)	11 mm
Bolt hole spacing (a,b)	105 x 75-80 mm

Rolling resistance



Operating noise



Floor surface preservation

