

EA986KY-200



EAN: 4047526283896

ID: 283895

Welded steel heavy duty swivel castor, strong swivel head design, Heavy duty wheels made of cast nylon

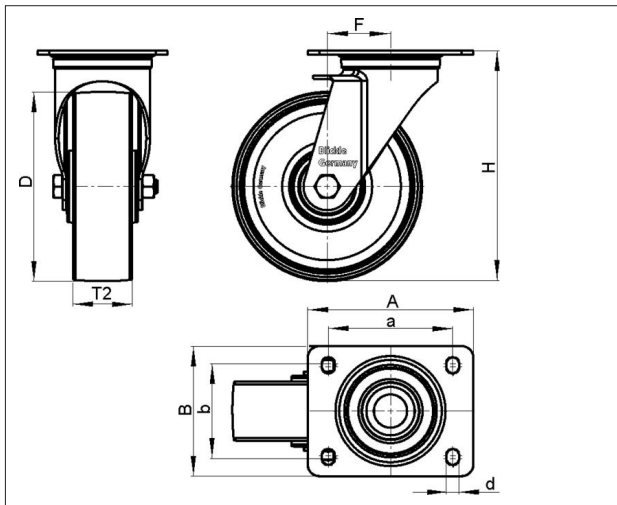
Bracket:

Particularly rugged welded steel construction, with axial grooved ball bearing DIN 711 and tapered roller bearing DIN 720 in the swivel head, dust and splash-proof, fitted grease nipple, bolted and secured with a welded very strong central kingpin. Bolted wheel axle. Zinc-plated, yellow-passivated, Cr6-free.

Wheels:



Tyre & running tread: Made of high-quality, impact-resistant, hard and tough, highly compressed cast nylon with outstanding load capacity, very low rolling and swivelling resistance, smooth running performance on even floors, very high abrasion resistance. Tread colour: natural beige

Rim / wheel centre: -



Technical data

Wheel Ø (D)	200 mm
Wheel width (T2)	80 mm
Load capacity	4500 kg
Total height (H)	280 mm
Offset swvl castor (F)	75 mm
Unit weight	22.995 kg
Temperature range from	-25 °C
Temperature range to	80 °C
Tread & tyre hardness	80° Shore D
Bearing type	
Plate size (A,B)	255 x 200 mm
Bolt hole Ø (d)	18 mm
Bolt hole spacing (a,b)	210 x 160 mm

Rolling resistance	
Operating noise	
Floor surface preservation	