

EA986KY-3



EAN: 4047526613617

ID: 613612

, Heavy duty wheels made of cast nylon

Bracket:

Particularly rugged welded steel construction, with axial grooved ball bearing DIN 711 and tapered roller bearing DIN 720 in the swivel head, dust and splash-proof, fitted grease nipple, bolted and secured with a welded very strong central kingpin. Bolted wheel axle. Zinc-plated, yellow-passivated, Cr6-free.

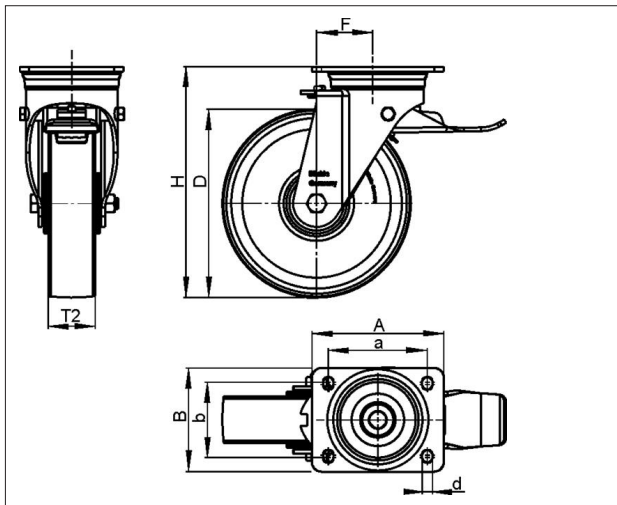
Wheels:

Tyre & running tread: Made of high-quality, impact-resistant, hard and tough, highly compressed cast nylon with outstanding load capacity, very low rolling and swivelling resistance, smooth running performance on even floors, very high abrasion resistance. Tread colour: natural beige

Rim / wheel centre: -

Variants:

mit Feststeller "stop-top"



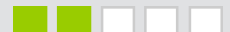
Technical data

Wheel Ø (D)	200 mm
Wheel width (T2)	55 mm
Load capacity	3000 kg
Total height (H)	255 mm
Offset swvl castor (F)	65 mm
Unit weight	9.76 kg
Temperature range from	-25 °C
Temperature range to	80 °C
Tread & tyre hardness	80° Shore D
Bearing type	
Plate size (A,B)	175 x 140 mm
Bolt hole Ø (d)	14 mm
Bolt hole spacing (a,b)	140 x 105 mm

Rolling resistance



Operating noise



Floor surface preservation

