

EA986LK-80



EAN: 4047526601898

ID: 601898

Heat-resistant stainless steel swivel castor with top plate fitting, Heat-resistant Blickle TempLine® Classic thermoset wheel

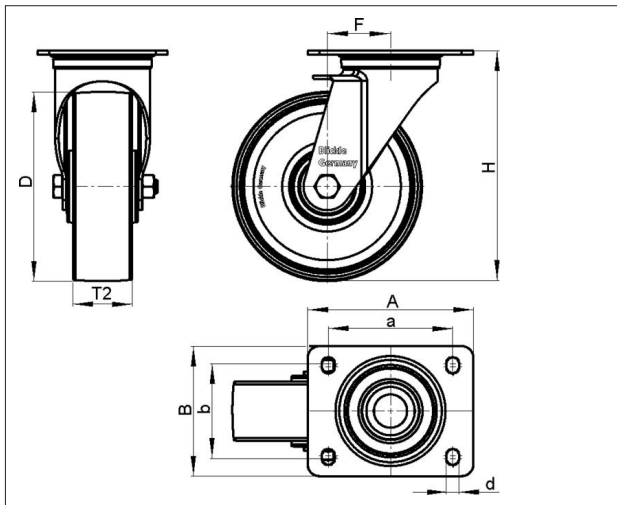
Bracket:

Made of pressed high-quality, chromium-nickel stainless steel (Material No. 1.4301/AISI 304), with double ball bearing in the swivel head, strong central kingpin. The special Blickle dynamic riveting process of the swivel head results in smooth rolling characteristics, increased service life and the swivel head play is set specifically for high temperature applications, with Teflon-coated stainless steel axle tube. All parts such as balls, central kingpin and axle material are corrosion-resistant. Bolted wheel axle. Vibration-ground finished.

Wheels:

Tyre & running tread: Made of phenolic resin, very high static load capacity, smooth running performance on even floors. Tread colour: black

Rim / wheel centre: -



Technical data

Wheel Ø (D)	80 mm
Wheel width (T2)	32 mm
Load capacity	100 kg
Total height (H)	102 mm
Offset swvl castor (F)	38 mm
Unit weight	0.58 kg
Temperature range from	-35 °C
Temperature range to	300 °C
Tread & tyre hardness	90° Shore D
Bearing type	
Plate size (A,B)	100 x 85 mm
Bolt hole Ø (d)	9 mm
Bolt hole spacing (a,b)	80 x 60 mm

Rolling resistance



Operating noise



Floor surface preservation

