

# EA986LM- 150

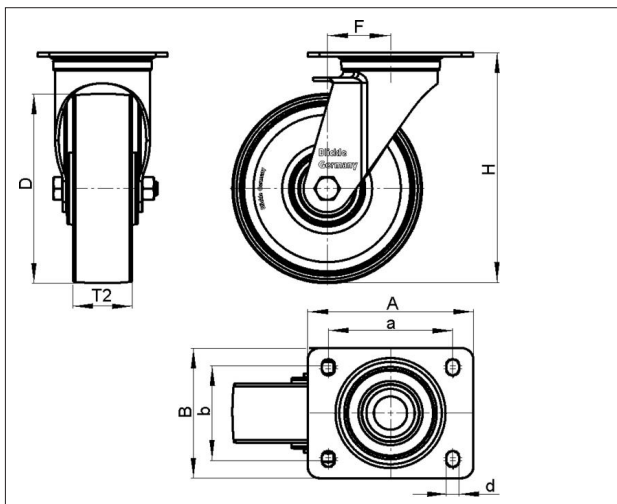


**EAN: 4047526422318**

**ID: 422311**

**Nylon wheel**

**Tyre & running tread:** Made of high-quality, impact-resistant nylon. Tread colour: natural white  
**Rim / wheel centre:** -



## Technical data

Wheel Ø (D)	150 mm
Wheel width (T2)	50 mm
Load capacity	300 kg
Total height (H)	190 mm
Offset swvl castor (F)	54 mm
Unit weight	1.391 kg
Temperature range from	-25 °C
Temperature range to	80 °C
Tread & tyre hardness	70° Shore D
Bearing type	
Plate size (A,B)	140 x 110 mm
Bolt hole Ø (d)	11 mm
Bolt hole spacing (a,b)	105 x 75-80 mm

Rolling resistance



Operating noise



Floor surface preservation



**Blickle Räder+Rollen GmbH u. Co. KG**

Heinrich-Blickle-Straße 1 · 72348 Rosenfeld · Germany  
 Telefon: +49 7428 932-0 · Telefax: +49 7428 932-209  
 E-Mail: info@blickle.com · Internet: www.blickle.com

© Blickle Räder+Rollen GmbH u. Co. KG 2013  
 Rosenfeld · Germany