

EA986LM-200

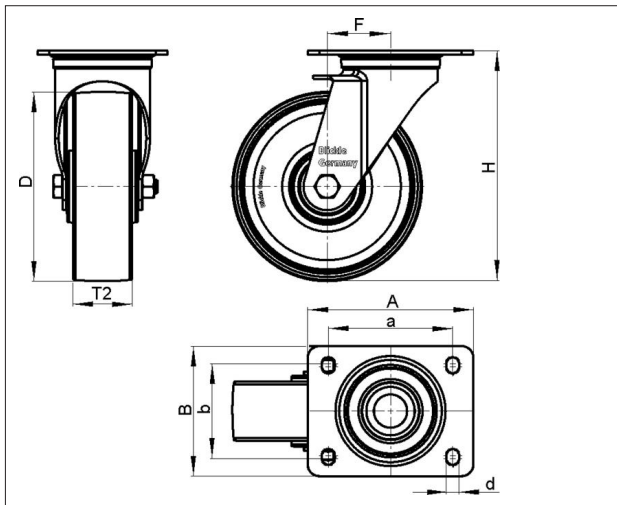


EAN: 4047526422325

ID: 422329

Nylon wheel

Tyre & running tread: Made of high-quality, impact-resistant nylon. Tread colour: natural white
Rim / wheel centre: -



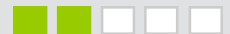
Technical data

Wheel Ø (D)	200 mm
Wheel width (T2)	50 mm
Load capacity	300 kg
Total height (H)	235 mm
Offset swvl castor (F)	54 mm
Unit weight	1.695 kg
Temperature range from	-25 °C
Temperature range to	80 °C
Tread & tyre hardness	70° Shore D
Bearing type	
Plate size (A,B)	140 x 110 mm
Bolt hole Ø (d)	11 mm
Bolt hole spacing (a,b)	105 x 75-80 mm

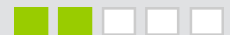
Rolling resistance



Operating noise



Floor surface preservation



LEX-PO 200G

Variants



With 'ideal-stop' brake