

EA986LM- 4



EAN: 4047526422349

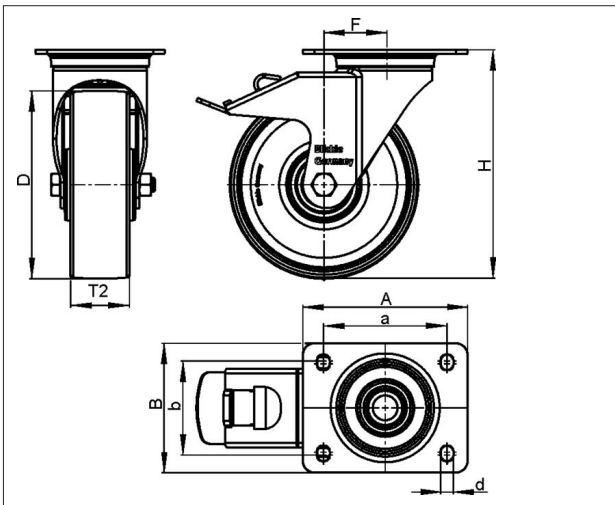
ID: 422345

Nylon wheel

Tyre & running tread: Made of high-quality, impact-resistant nylon. Tread colour: natural white

Rim / wheel centre: -

Variants:
mit Feststeller "stop-fix"



Technical data

Wheel Ø (D)	200 mm
Wheel width (T2)	50 mm
Load capacity	300 kg
Total height (H)	235 mm
Offset swvl castor (F)	54 mm
Unit weight	2.03 kg
Temperature range from	-25 °C
Temperature range to	80 °C
Tread & tyre hardness	70° Shore D
Bearing type	
Plate size (A,B)	140 x 110 mm
Bolt hole Ø (d)	11 mm
Bolt hole spacing (a,b)	105 x 75-80 mm

Rolling resistance



Operating noise



Floor surface preservation

