

EA986LM- 75

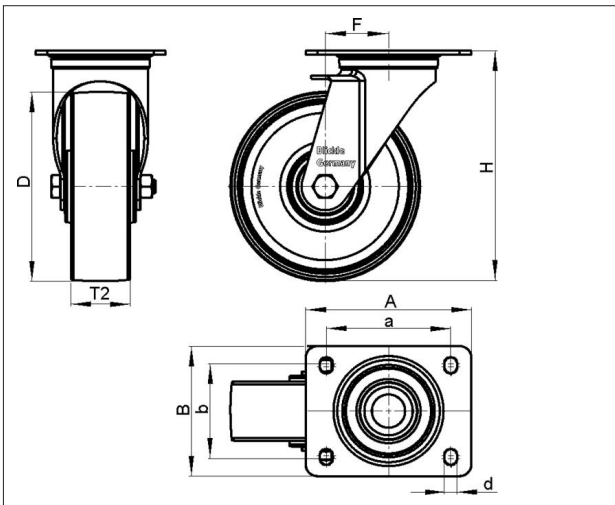


EAN: 4047526355494

ID: 355495

Nylon wheel

**Tyre & running tread:** Made of high-quality, impact-resistant nylon. Tread colour: natural white  
**Rim / wheel centre:** -



Technical data

Wheel Ø (D)	75 mm
Wheel width (T2)	32 mm
Load capacity	150 kg
Total height (H)	100 mm
Offset swvl castor (F)	38 mm
Unit weight	0.479 kg
Temperature range from	-25 °C
Temperature range to	80 °C
Tread & tyre hardness	70° Shore D
Bearing type	
Plate size (A,B)	100 x 85 mm
Bolt hole Ø (d)	9 mm
Bolt hole spacing (a,b)	80 x 60 mm

Rolling resistance



Operating noise



Floor surface preservation

