

EA986M-250



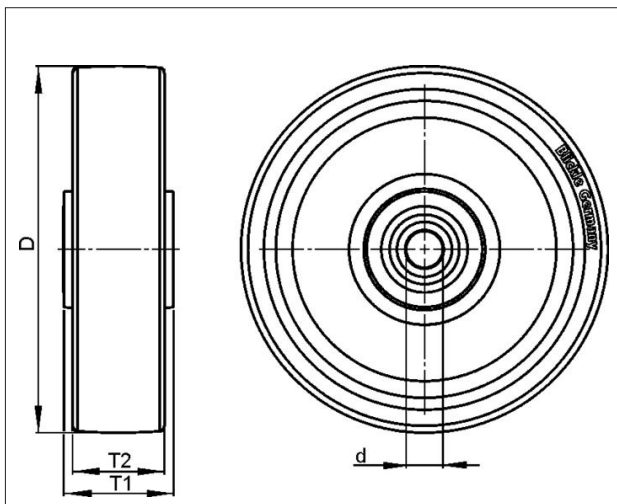
EAN: 4047526263461

ID: 263467

Heavy duty wheel with elastic solid rubber tyres 'Blickle EasyRoll', with aluminium wheel centre




Tyre & running tread: Made of high-quality elastic solid rubber, in smooth rolling quality "Blickle EasyRoll", very high operational comfort, low-noise operation, low rolling resistance, very good floor preservation, vulcanised on the wheel centre. Tread colour: black

Rim / wheel centre: Made of die-cast aluminium. Vulcanised tyre.



Technical data

Wheel Ø (D)	250 mm
Wheel width (T2)	50 mm
Load capacity	650 kg
Axle bore Ø (d)	20 mm
Hub length (T1)	60 mm
Unit weight	2.214 kg
Temperature range from	-25 °C
Temperature range to	80 °C
Tread & tyre hardness	65° Shore A
Bearing type	



Rolling resistance	
Operating noise	
Floor surface preservation	

Blickle Räder+Rollen GmbH u. Co. KG

Heinrich-Blickle-Straße 1 · 72348 Rosenfeld · Germany
 Telefon: +49 7428 932-0 · Telefax: +49 7428 932-209
 E-Mail: info@blickle.com · Internet: www.blickle.com

© Blickle Räder+Rollen GmbH u. Co. KG 2013
 Rosenfeld · Germany

ALEV 250/20K

Variants	
	Antistatic version
	With non-marking grey tyre