

# EA986MA- 100

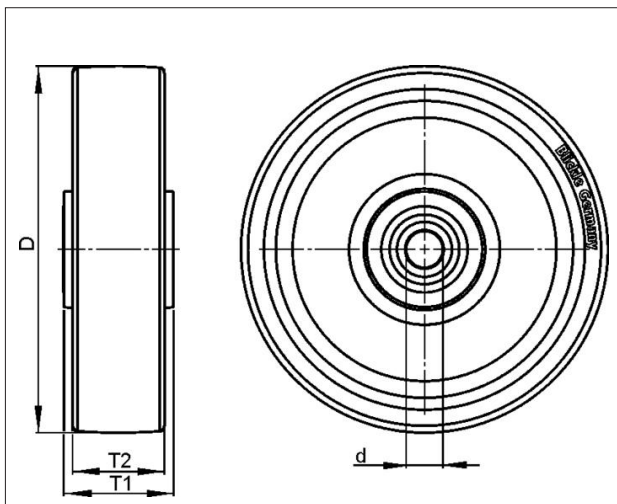


**EAN: 4047526105426**

**ID: 105429**



**Nylon wheel**

**Tyre & running tread:** Made of high-quality, impact-resistant nylon, very low rolling and swivelling resistance, smooth running performance on even floors, very high abrasion resistance. Tread colour: black  
**Rim / wheel centre:** -



### Technical data

Wheel Ø (D)	100 mm
Wheel width (T2)	32 mm
Load capacity	240 kg
Axle bore Ø (d)	12 mm
Hub length (T1)	35 mm
Unit weight	0.113 kg
Temperature range from	-25 °C
Temperature range to	80 °C
Tread & tyre hardness	70° Shore D
Bearing type	

Rolling resistance	
Operating noise	
Floor surface preservation	