

# EA986MA-125

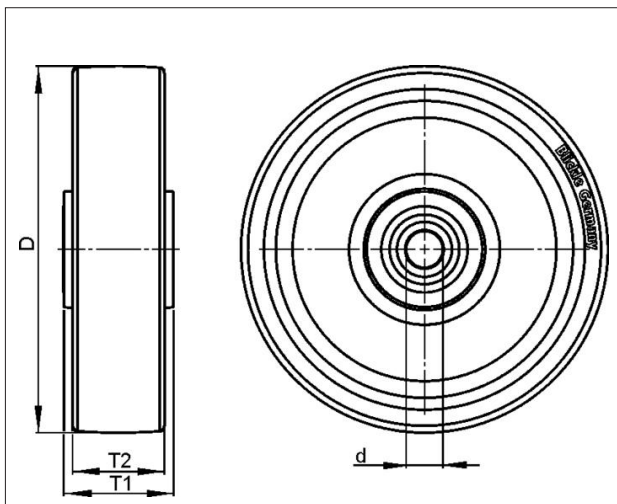


**EAN: 4047526105440**

**ID: 105445**

**Nylon wheel**

**Tyre & running tread:** Made of high-quality, impact-resistant nylon, very low rolling and swivelling resistance, smooth running performance on even floors, very high abrasion resistance. Tread colour: black  
**Rim / wheel centre:** -



### Technical data

Wheel Ø (D)	125 mm
Wheel width (T2)	32 mm
Load capacity	260 kg
Axle bore Ø (d)	12 mm
Hub length (T1)	35 mm
Unit weight	0.16 kg
Temperature range from	-25 °C
Temperature range to	80 °C
Tread & tyre hardness	70° Shore D
Bearing type	

Rolling resistance	<input checked="" type="checkbox"/> <input checked="" type="checkbox"/> <input checked="" type="checkbox"/> <input checked="" type="checkbox"/> <input checked="" type="checkbox"/>
Operating noise	<input checked="" type="checkbox"/> <input checked="" type="checkbox"/> <input type="checkbox"/> <input type="checkbox"/> <input type="checkbox"/>
Floor surface preservation	<input checked="" type="checkbox"/> <input checked="" type="checkbox"/> <input type="checkbox"/> <input type="checkbox"/> <input type="checkbox"/>