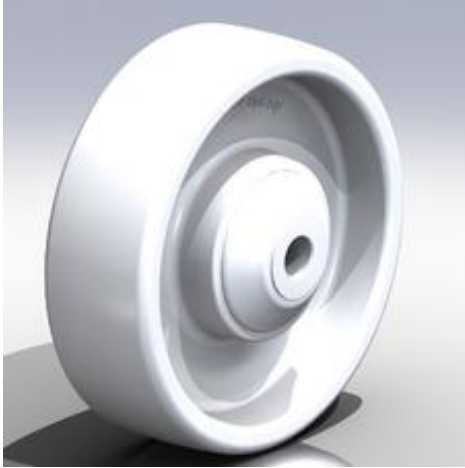


# EA986MB- 4

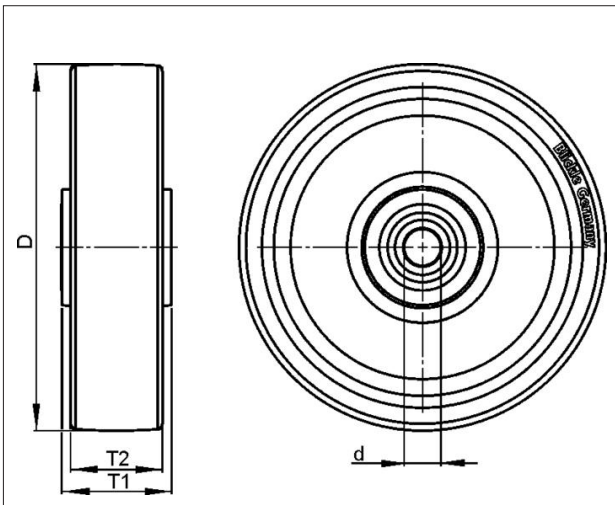


**EAN: 4047526558420**

**ID: 558429**




**Nylon wheel**

**Tyre & running tread:** Made of high-quality, impact-resistant nylon. Tread colour: natural white  
**Rim / wheel centre:** -



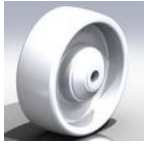
### Technical data

Wheel Ø (D)	100 mm
Wheel width (T2)	37 mm
Load capacity	280 kg
Axle bore Ø (d)	10 mm
Hub length (T1)	46 mm
Unit weight	0.196 kg
Temperature range from	-25 °C
Temperature range to	80 °C
Tread & tyre hardness	70° Shore D
Bearing type	

Rolling resistance	
Operating noise	
Floor surface preservation	

PO 100/10K

Variants



Wheel with  
additional ball bearing  
seals