

EA986MB- 7

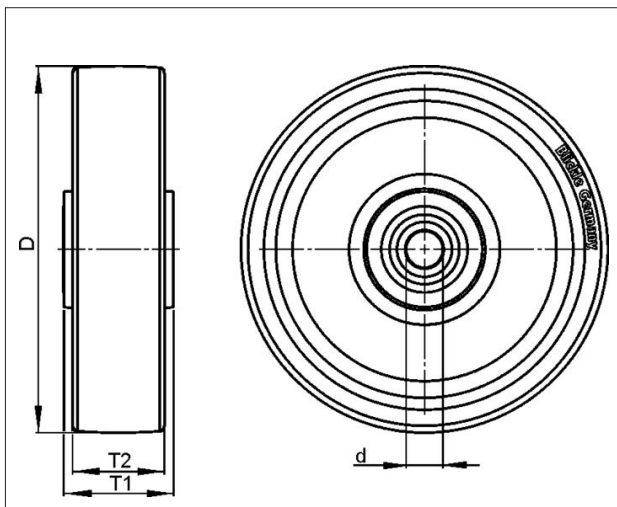


EAN: 4047526005559

ID: 5553



Nylon wheel

**Tyre & running tread:** Made of high-quality, impact-resistant nylon. Tread colour: natural white  
**Rim / wheel centre:** -



Technical data

Wheel Ø (D)	175 mm
Wheel width (T2)	50 mm
Load capacity	500 kg
Axle bore Ø (d)	20 mm
Hub length (T1)	60 mm
Unit weight	0.858 kg
Temperature range from	-25 °C
Temperature range to	80 °C
Tread & tyre hardness	70° Shore D
Bearing type	

Rolling resistance	
Operating noise	
Floor surface preservation	