

EA986MC-11



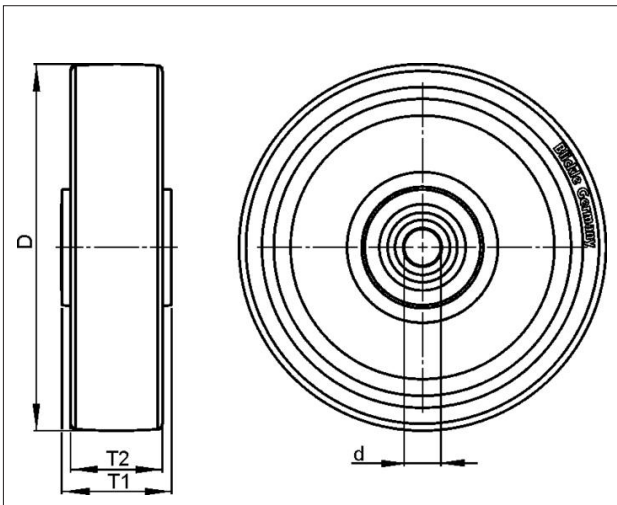
EAN: 4047526237660

ID: 237669

Wheel with standard solid rubber tyres, with synthetic rim

Tyre & running tread: Made of standard solid rubber, very high operational comfort, low-noise operation, very good floor preservation, PAH conform acc. to EU directive 2005/69/EC. Tread colour: black

Rim / wheel centre: Made of high-quality, impact-resistant polypropylene. Pressed-on tyre.



Technical data

Wheel Ø (D)	345 mm
Wheel width (T2)	75 mm
Load capacity	300 kg
Axle bore Ø (d)	25 mm
Hub length (T1)	75 mm
Unit weight	5.6 kg
Temperature range from	-20 °C
Temperature range to	60 °C
Tread & tyre hardness	80° Shore A
Bearing type	

Rolling resistance



Operating noise



Floor surface preservation

