

# EA986MC-140



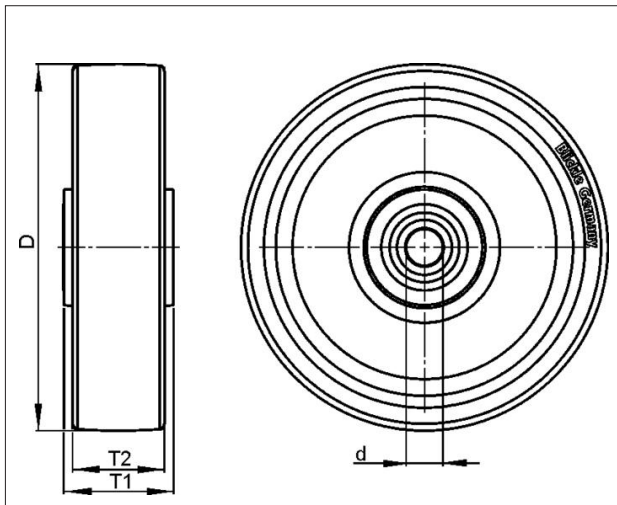
**EAN: 4047526023928**

**ID: 23929**

**Wheel with standard solid rubber tyres, with synthetic rim**



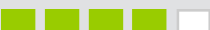
**Tyre & running tread:** Made of standard solid rubber, very high operational comfort, low-noise operation, very good floor preservation, PAH conform acc. to EU directive 2005/69/EC. Tread colour: black

**Rim / wheel centre:** Made of high-quality, impact-resistant polypropylene. Pressed-on tyre.



### Technical data

Wheel Ø (D)	140 mm
Wheel width (T2)	37,5 mm
Load capacity	115 kg
Axle bore Ø (d)	15 mm
Hub length (T1)	45 mm
Unit weight	0.491 kg
Temperature range from	-20 °C
Temperature range to	60 °C
Tread & tyre hardness	80° Shore A
Bearing type	

Rolling resistance	
Operating noise	
Floor surface preservation	

**Blickle Räder+Rollen GmbH u. Co. KG**

Heinrich-Blickle-Straße 1 · 72348 Rosenfeld · Germany  
 Telefon: +49 7428 932-0 · Telefax: +49 7428 932-209  
 E-Mail: info@blickle.com · Internet: www.blickle.com

© Blickle Räder+Rollen GmbH u. Co. KG 2013  
 Rosenfeld · Germany

**VPP 140/15G**

Variants



With non-marking grey  
tyre