

EA986MD- 10



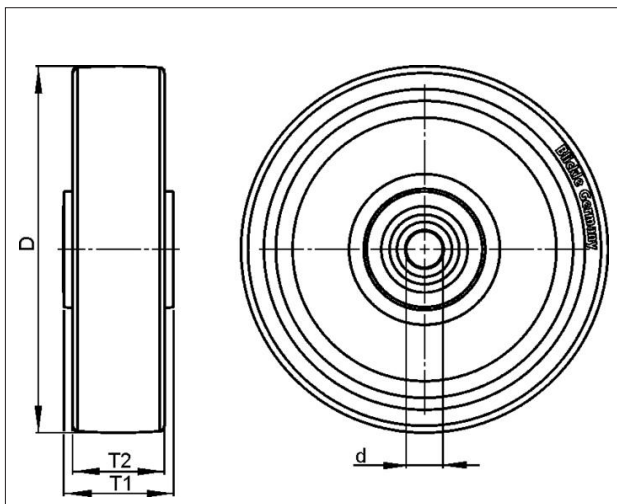
EAN: 4047526007010

ID: 7013

Heavy duty nylon wheel



Tyre & running tread: Made of high-quality, impact-resistant nylon, very rugged, heavy wheel design, very low rolling and swivelling resistance, smooth running performance on even floors, very high abrasion resistance.
Tread colour:natural white

Rim / wheel centre: -



Technical data

Wheel Ø (D)	250 mm
Wheel width (T2)	65 mm
Load capacity	2000 kg
Axle bore Ø (d)	25 mm
Hub length (T1)	65 mm
Unit weight	2.75 kg
Temperature range from	-25 °C
Temperature range to	80 °C
Tread & tyre hardness	70° Shore D
Bearing type	

Rolling resistance	
Operating noise	
Floor surface preservation	