

EA986MD-175



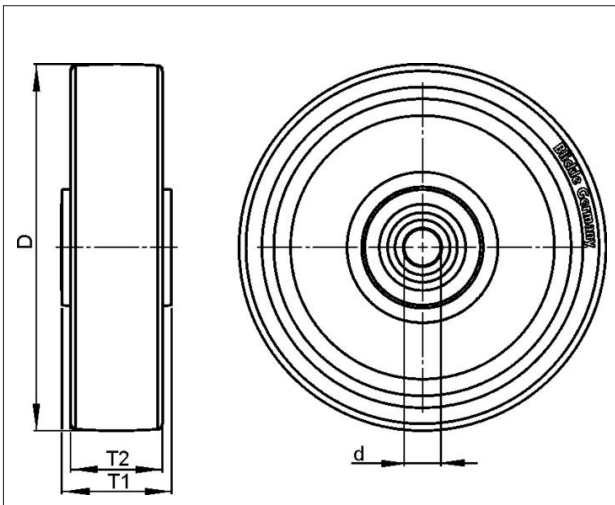
EAN: 4047526047665

ID: 47662

Heavy duty nylon wheel

Tyre & running tread: Made of high-quality, impact-resistant nylon, very rugged, heavy wheel design, very low rolling and swivelling resistance, smooth running performance on even floors, very high abrasion resistance.
Tread colour: natural white

Rim / wheel centre: -



Technical data	
Wheel Ø (D)	175 mm
Wheel width (T2)	50 mm
Load capacity	1000 kg
Axle bore Ø (d)	20 mm
Hub length (T1)	60 mm
Unit weight	1.041 kg
Temperature range from	-25 °C
Temperature range to	80 °C
Tread & tyre hardness	70° Shore D
Bearing type	

Rolling resistance	■ ■ ■ ■ ■
Operating noise	■ ■ □ □ □
Floor surface preservation	■ ■ □ □ □