

EA986MD-4

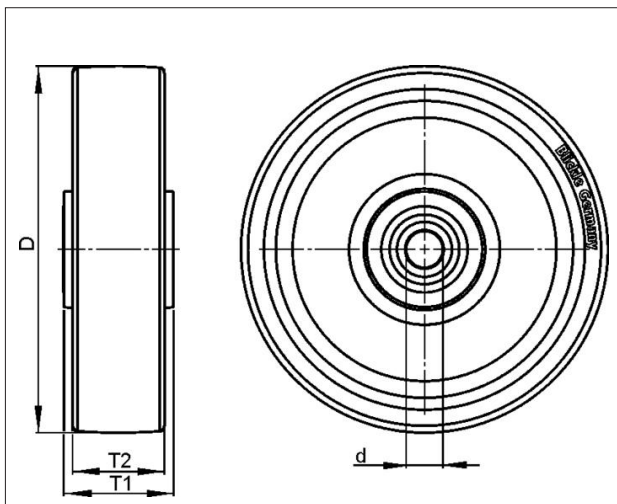


EAN: 4047526006914

ID: 6916




Heavy duty nylon wheel

Tyre & running tread: Made of high-quality, impact-resistant nylon, very rugged, heavy wheel design, very low rolling and swivelling resistance, smooth running performance on even floors, very high abrasion resistance.
Tread colour: natural white
Rim / wheel centre: -



Technical data

| | |
|------------------------|-------------|
| Wheel Ø (D) | 100 mm |
| Wheel width (T2) | 37 mm |
| Load capacity | 500 kg |
| Axle bore Ø (d) | 15 mm |
| Hub length (T1) | 45 mm |
| Unit weight | 0.358 kg |
| Temperature range from | -25 °C |
| Temperature range to | 80 °C |
| Tread & tyre hardness | 70° Shore D |
| Bearing type | |

| | |
|----------------------------|---|
| Rolling resistance |  |
| Operating noise |  |
| Floor surface preservation |  |