

EA986MD- 7



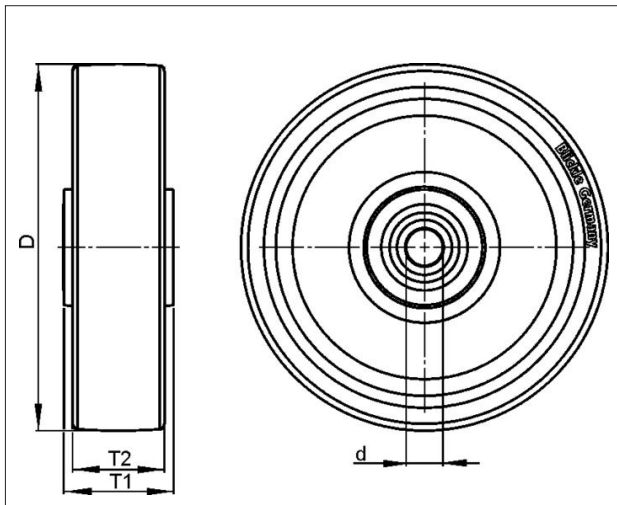
EAN: 4047526047672

ID: 47670

Heavy duty nylon wheel

**Tyre & running tread:** Made of high-quality, impact-resistant nylon, very rugged, heavy wheel design, very low rolling and swivelling resistance, smooth running performance on even floors, very high abrasion resistance.  
Tread colour:natural white

**Rim / wheel centre:** -



Technical data

|                        |             |
|------------------------|-------------|
| Wheel Ø (D)            | 175 mm      |
| Wheel width (T2)       | 50 mm       |
| Load capacity          | 1000 kg     |
| Axle bore Ø (d)        | 20 mm       |
| Hub length (T1)        | 60 mm       |
| Unit weight            | 1.323 kg    |
| Temperature range from | -25 °C      |
| Temperature range to   | 80 °C       |
| Tread & tyre hardness  | 70° Shore D |
| Bearing type           |             |

|                            |  |
|----------------------------|--|
| Rolling resistance         |  |
| Operating noise            |  |
| Floor surface preservation |  |