

EA986ME-5



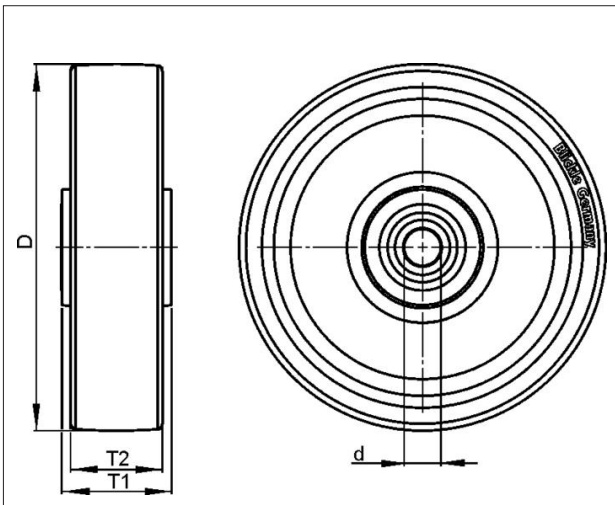
EAN: 4047526004200

ID: 4200

Wheel with thermoplastic polyurethane tread, with heavy nylon wheel centre



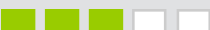
Tyre & running tread: Made of high-quality thermoplastic polyurethane, high operational comfort, low-noise operation, low rolling and swivelling resistance, good floor preservation, very high abrasion resistance, chemically bonded for an inseparable connection to the wheel centre. Tread colour: dark grey

Rim / wheel centre: Made of high-quality, impact-resistant nylon.



Technical data

Wheel Ø (D)	125 mm
Wheel width (T2)	40 mm
Load capacity	350 kg
Axle bore Ø (d)	15 mm
Hub length (T1)	45 mm
Unit weight	0.524 kg
Temperature range from	-25 °C
Temperature range to	70 °C
Tread & tyre hardness	94° Shore A
Bearing type	

Rolling resistance	
Operating noise	
Floor surface preservation	

Blickle Räder+Rollen GmbH u. Co. KG

Heinrich-Blickle-Straße 1 · 72348 Rosenfeld · Germany
 Telefon: +49 7428 932-0 · Telefax: +49 7428 932-209
 E-Mail: info@blickle.com · Internet: www.blickle.com

© Blickle Räder+Rollen GmbH u. Co. KG 2013
 Rosenfeld · Germany