

# EA986ME-8



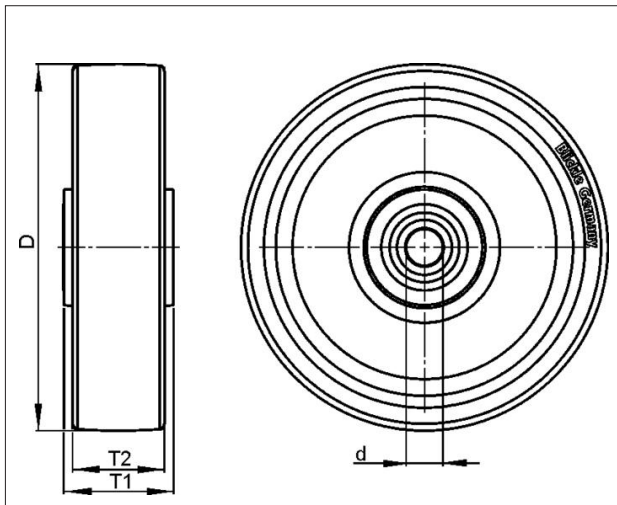
**EAN: 4047526044442**

**ID: 44446**

**Wheel with thermoplastic polyurethane tread, with heavy nylon wheel centre**




**Tyre & running tread:** Made of high-quality thermoplastic polyurethane, high operational comfort, low-noise operation, low rolling and swivelling resistance, good floor preservation, very high abrasion resistance, chemically bonded for an inseparable connection to the wheel centre. Tread colour: dark grey

**Rim / wheel centre:** Made of high-quality, impact-resistant nylon.



### Technical data

Wheel Ø (D)	200 mm
Wheel width (T2)	50 mm
Load capacity	800 kg
Axle bore Ø (d)	20 mm
Hub length (T1)	60 mm
Unit weight	1.441 kg
Temperature range from	-25 °C
Temperature range to	70 °C
Tread & tyre hardness	94° Shore A
Bearing type	

Rolling resistance	
Operating noise	
Floor surface preservation	

**Blickle Räder+Rollen GmbH u. Co. KG**

Heinrich-Blickle-Straße 1 · 72348 Rosenfeld · Germany  
 Telefon: +49 7428 932-0 · Telefax: +49 7428 932-209  
 E-Mail: info@blickle.com · Internet: www.blickle.com

© Blickle Räder+Rollen GmbH u. Co. KG 2013  
 Rosenfeld · Germany