

EA986MF-150



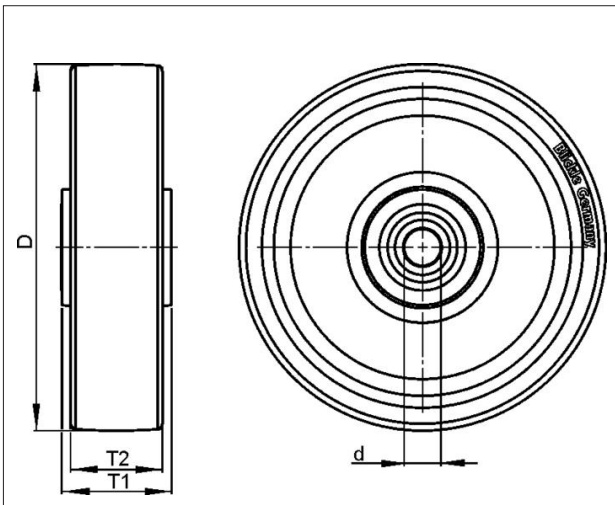
EAN: 4047526105143

ID: 105148

Wheel with solid rubber tyres, with synthetic rim

Tyre & running tread: Made of high-quality solid rubber, very high operational comfort, low-noise operation, very good floor preservation. Tread colour: grey

Rim / wheel centre: Made of high-quality, impact-resistant nylon. Pressed-on tyre.



Technical data

Wheel Ø (D)	150 mm
Wheel width (T2)	30 mm
Load capacity	130 kg
Axle bore Ø (d)	8 mm
Hub length (T1)	35 mm
Unit weight	0.501 kg
Temperature range from	-20 °C
Temperature range to	60 °C
Tread & tyre hardness	80° Shore A
Bearing type	

Rolling resistance	■ ■ ■ ■ ■
Operating noise	■ ■ ■ ■ ■
Floor surface preservation	■ ■ ■ ■ ■

VPA 150/8K

Variants



Antistatic version