

Product Data Sheet



VW 162/20R

EAN 4047526529550

ID 529552

Wheels with 'Blickle Soft' soft rubber tyres, with pressed steel rim

Wheels:

Made of 'Blickle Soft' highly elastic soft rubber, round profile, highest operational comfort, exceptionally low-noise operation, excellent floor preservation.

Tread/tyre: Made of "Blickle Soft" soft rubber.

Tread colours: black

Wheel centre/rim:

Pressed steel rim with tubular steel hub, pressed rim (special shock and impact-resistant design), zinc-plated, blue-passivated, Cr6-free. Tyre pressed with rim.

Wheel centre colour: blue passivated



Rolling resistance

■■■■ □ □ Good

Operating noise

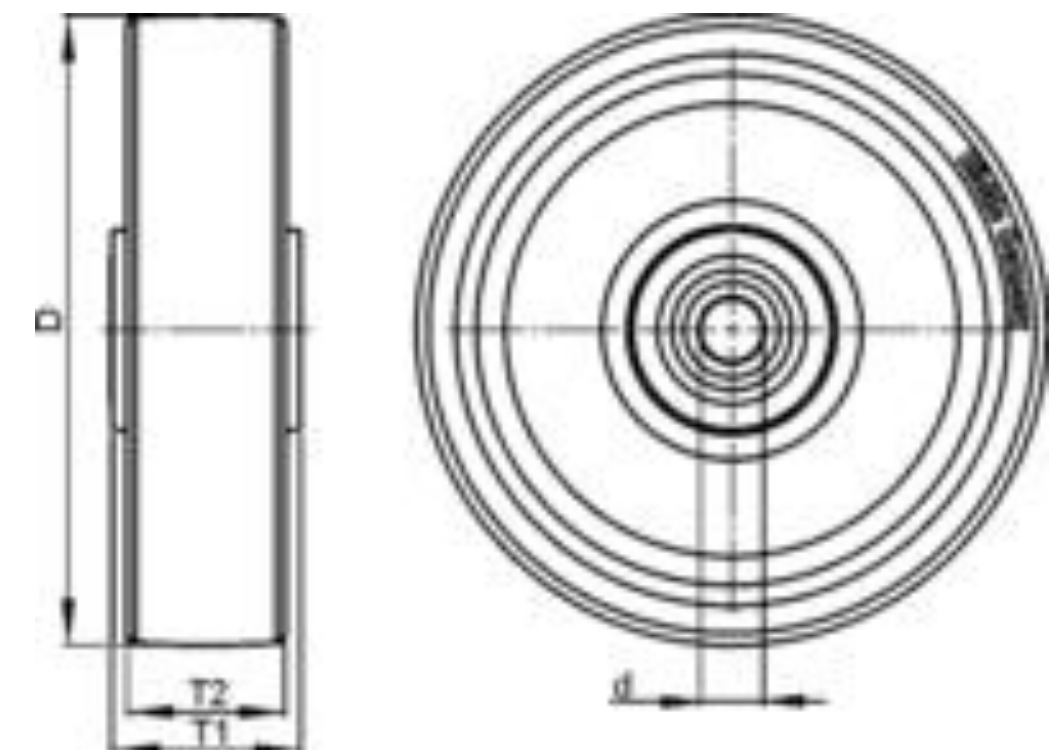
■■■■■ Excellent

Floor surface preservation

■■■■■ Excellent

Technical data

Wheel Ø		160 mm (D)
Tyre width		40 mm (T2)
Load capacity		70 kg
Axle bore Ø		20 mm (d)
Hub length		60 mm (T1)
unit weight		1,1 kg
Temperature resistance		-25 ° C
Temperature resistance to tread and tyre hardness		80 ° C
tread and tyre hardness		50° Shore A
Bearing type:		Roller bearing



Product Data Sheet



Variants



VW 162/20R-SG

Wheels with 'Blickle Soft' soft rubber tyres, with pressed steel rim